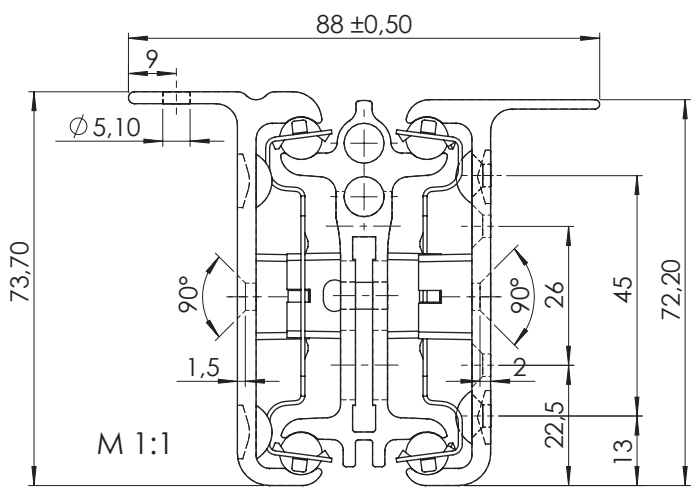
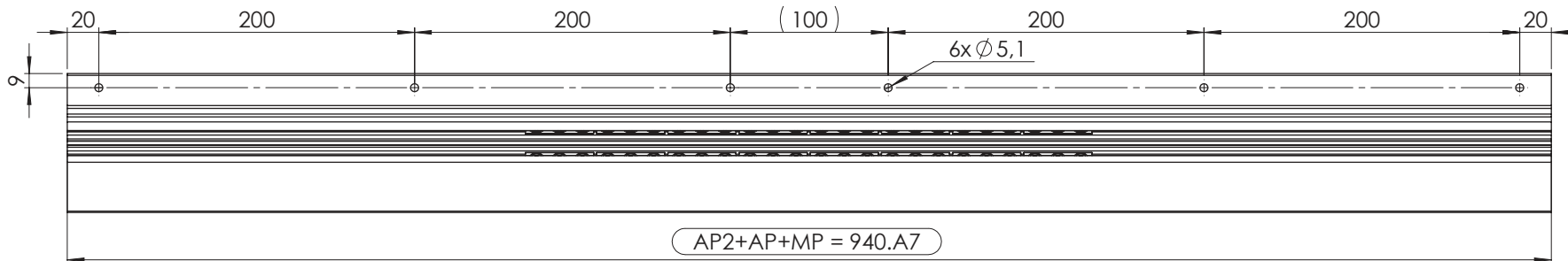
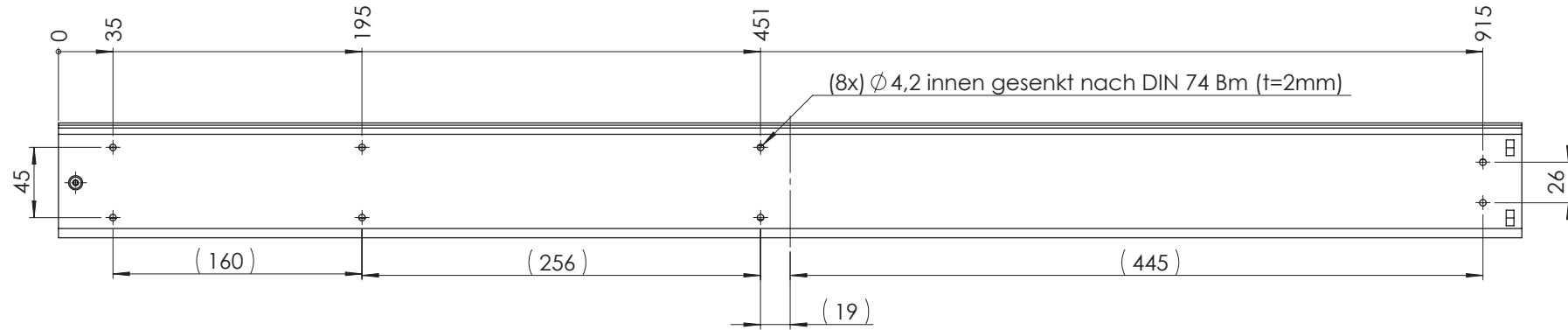
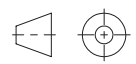



All property rights and rights to exploitation of copyright for this drawing data remain ours; they may not be made available to third parties without our consent.



metal ball-retainer: 8 segments  
opening: ca. 1127 mm

!! Attention !!  
Designed right mirror-imaged left

| Index   | Change  |                   | Date              | Name            |
|---|---|-------------------|-------------------|-----------------|
| <br>DIN ISO 128-30 | Description: A7F/940.A7/940.A7/940.A7/KK8/Elox. |                   |                   |                 |
|   | Surface: Eloxal                                 |                   | Material: diverse | Weight: 3.76 kg |
|                    | Name  | Date              | Company           |                 |
|   | Signed  | Carrera           | 30.03.2012        | Q.C.A. Service  |
| Tested  |   |                   | Second Company:   |                 |
| General tolerance: DIN ISO 2768 -1  |   | Item No: 77094803 | Scale 1:10        | Page 1/6        |
|   |   |                   |                   | <b>A3</b>       |