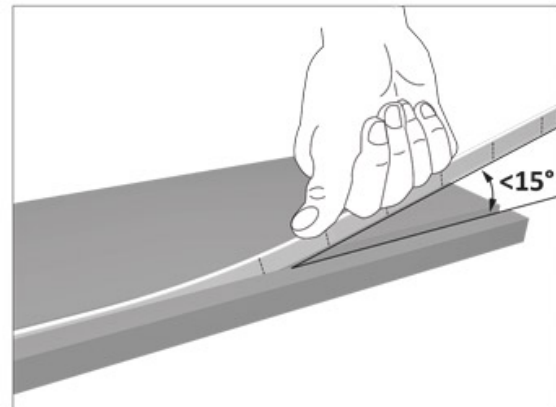
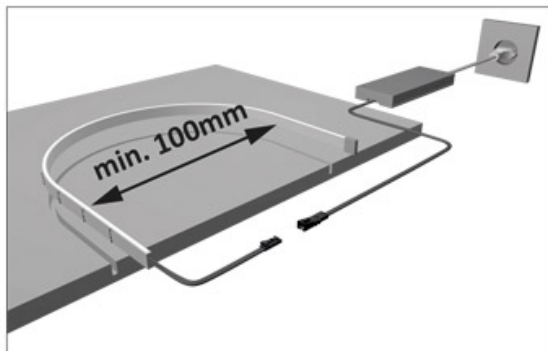
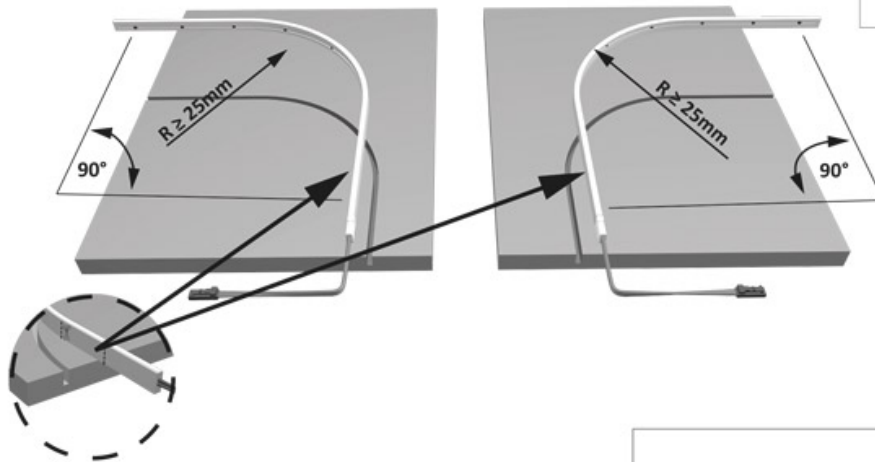
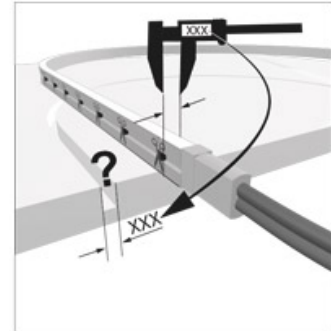
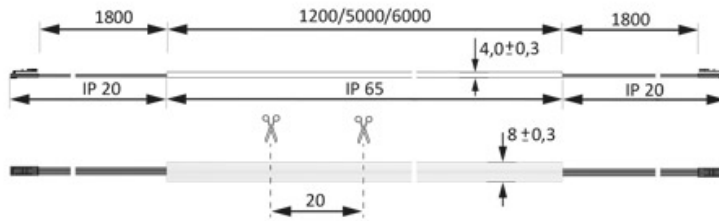


# BANDE LED FLEXIBLE MINI

HALEMEIER



HALEMEIER



<https://www.socomenal.com/bande-led-flexible-mini-p63649>



Tel : 03 88 78 96 96

Fax : 02 43 30 26 16

[www.socomenal.com](http://www.socomenal.com)