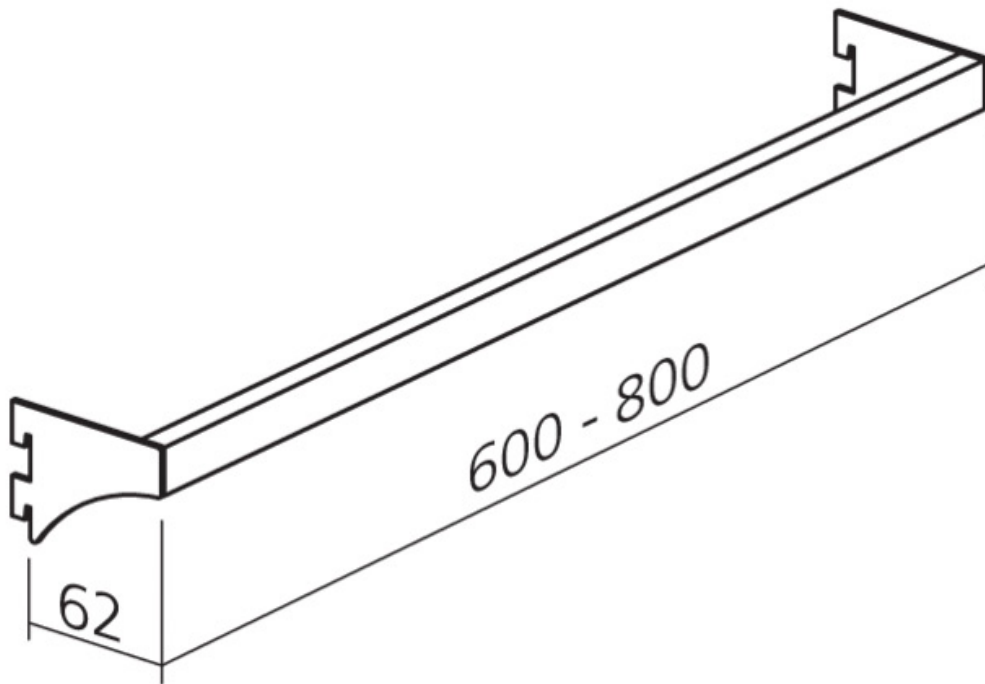


BARRE DE CHARGE 25X15

SOFADI



<https://www.socomenal.com/barre-de-charge-25x15-p30677>



Tel : 03 88 78 96 96

Fax : 02 43 30 26 16

www.socomenal.com