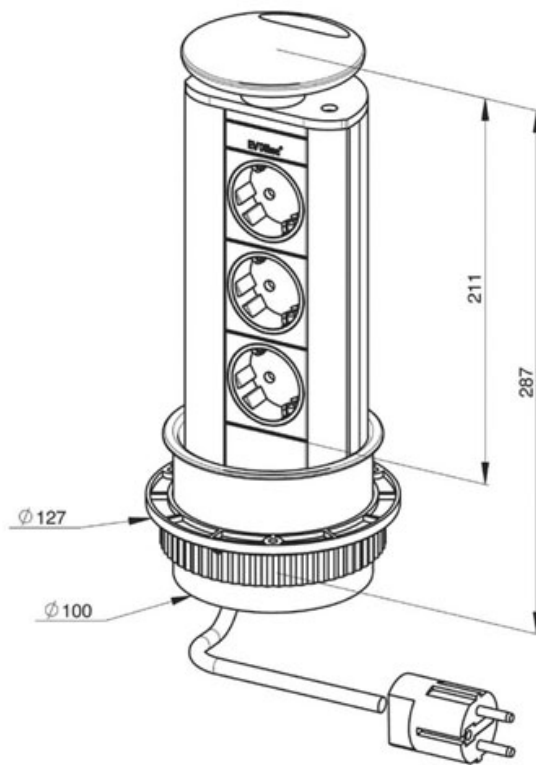


BORNE MULTIPRISE ESCAMOTABLE

EVOLINE

EVoline®
ePlace Design



<https://www.socomenal.com/borne-multiprise-escamotable-p6777>



Tel : 03 88 78 96 96

Fax : 02 43 30 26 16

www.socomenal.com