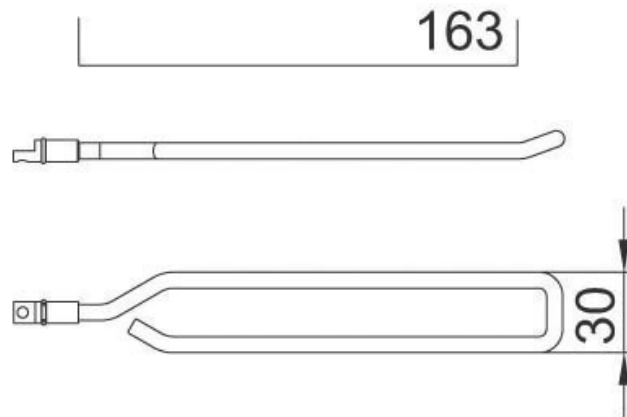


BROCHE BLISTER DOT1

SOFADI



<https://www.socomenal.com/broche-blister-dot1-p30494>



Tel : 03 88 78 96 96

Fax : 02 43 30 26 16

www.socomenal.com