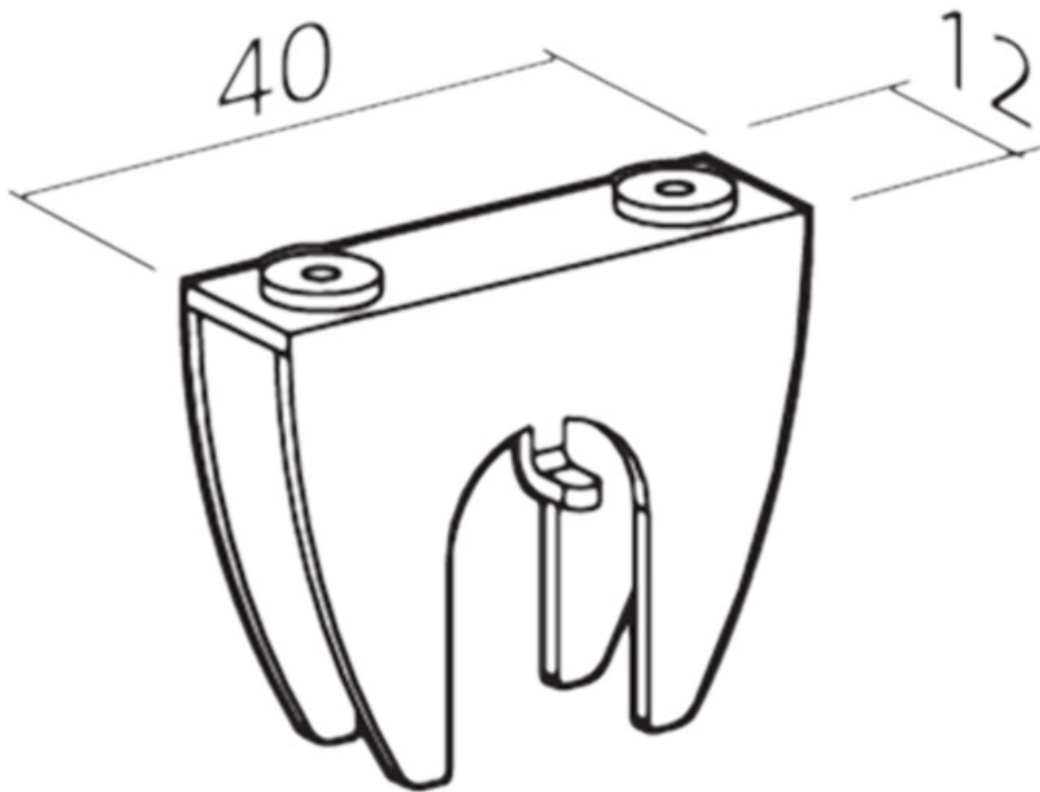


CAVALIER SUPPORT TABLETTE CAD-CADSV

SOFADI



<https://www.socomenal.com/cavalier-support-tablette-sofadi-p4942>



Tel : 03 88 78 96 96

Fax : 02 43 30 26 16

www.socomenal.com