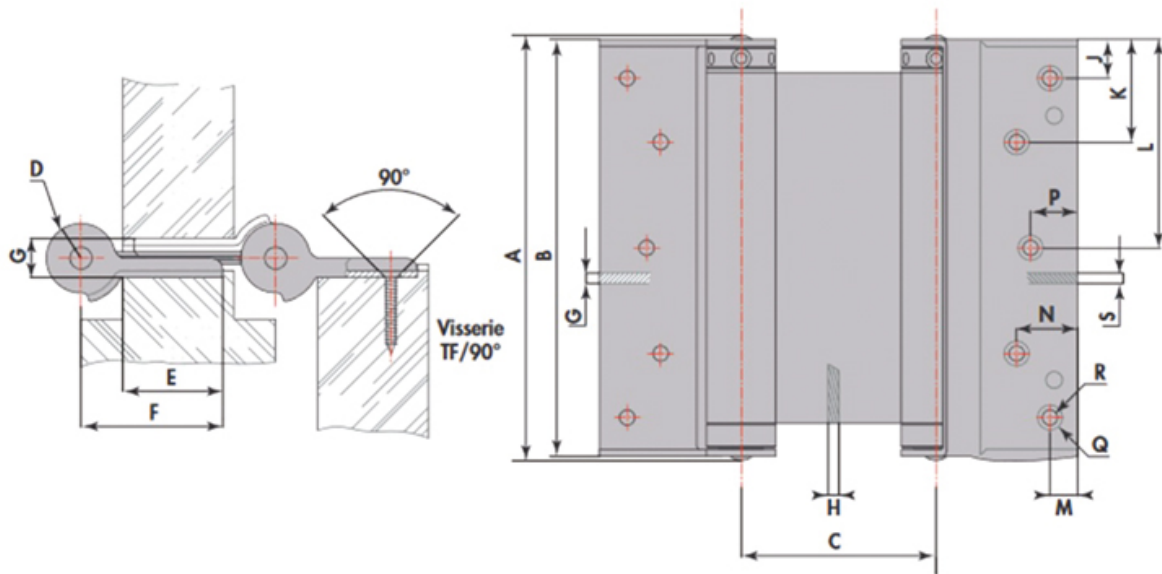


CHARNIÈRE DOUBLE ACTION

FERMETURES GROOM



<https://www.socomenal.com/charniere-double-action-p3422>



Tel : 03 88 78 96 96

Fax : 02 43 30 26 16

www.socomenal.com