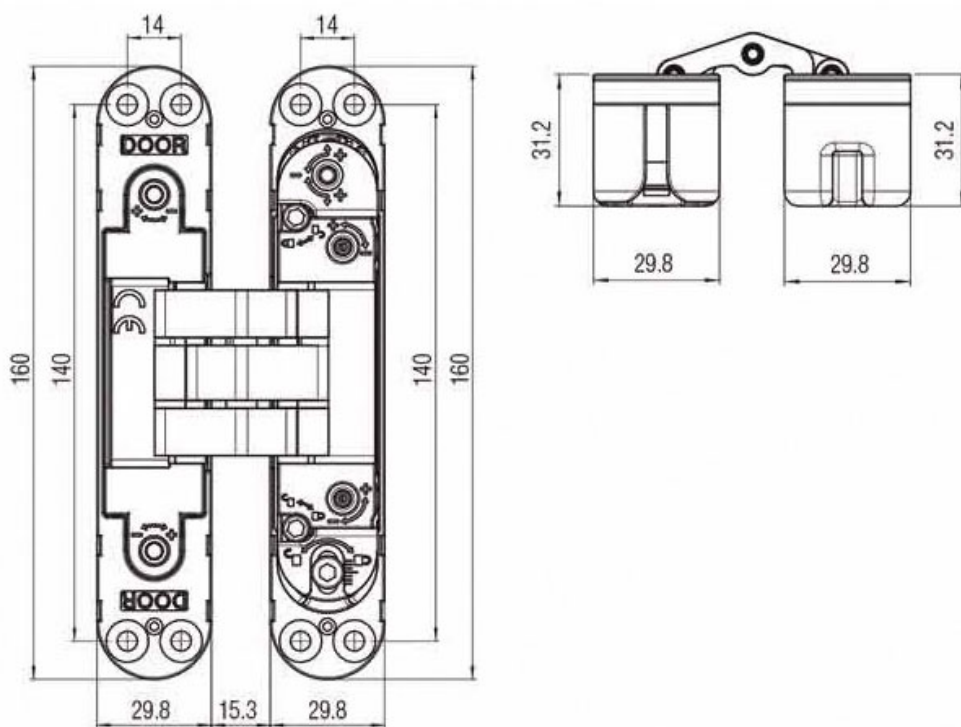


# CHARNIÈRE INVISIBLE À ENCASTRER K7080

KOBLENZ



<https://www.socomenal.com/charniere-invisible-a-encastrer-k7080-p58836>



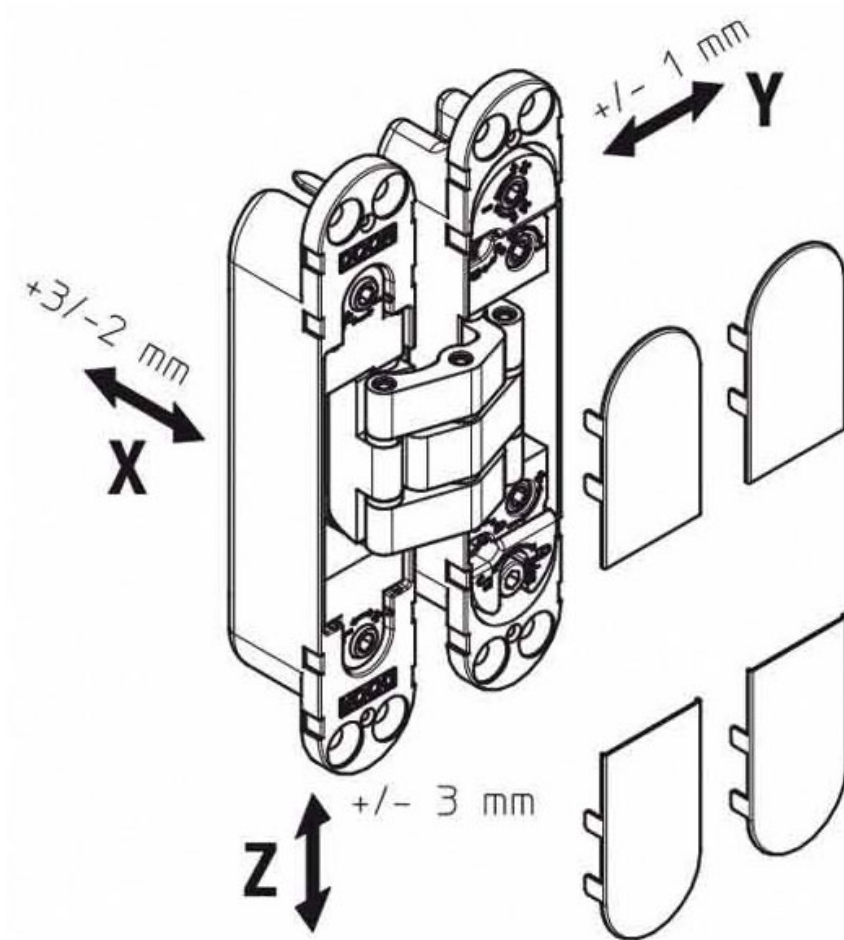
Tel : 03 88 78 96 96

Fax : 02 43 30 26 16

[www.socomenal.com](http://www.socomenal.com)

# CHARNIÈRE INVISIBLE À ENCASTRER K7080

KOBLENZ



<https://www.socomenal.com/charniere-invisible-a-encastrer-k7080-p58836>



Tel : 03 88 78 96 96

Fax : 02 43 30 26 16

[www.socomenal.com](http://www.socomenal.com)

# CHARNIÈRE INVISIBLE À ENCASTRER K7080

KOBLENZ



<p>Realizzazione <i>Version</i></p> <p><b>ZAMA</b></p>	<p>Finitura <i>Finishing</i></p>	<p>min. 40 mm</p>	<p>Regolazioni <i>Adjustments</i></p>
<p><b>80 kg</b> (2: cerniere - hinges)</p> <p><b>100 kg</b> (3: cerniere - hinges)</p>	<p>COVER</p>	<p>180°</p>	<p>Viti per fissaggio <i>Fixing screws</i></p>
	<p>Product Quality Multi-axis, concealed hinges EAD 325001-01-0433 Reg. N°: 9330233</p>	<p>30 min.</p>	
		<p>UL LISTED DOOR HINGE R27182</p>	<p>ULC LISTED HINGES R27182</p>

<https://www.socomenal.com/charniere-invisible-a-encastrer-k7080-p58836>



Tel : 03 88 78 96 96

Fax : 02 43 30 26 16

[www.socomenal.com](http://www.socomenal.com)