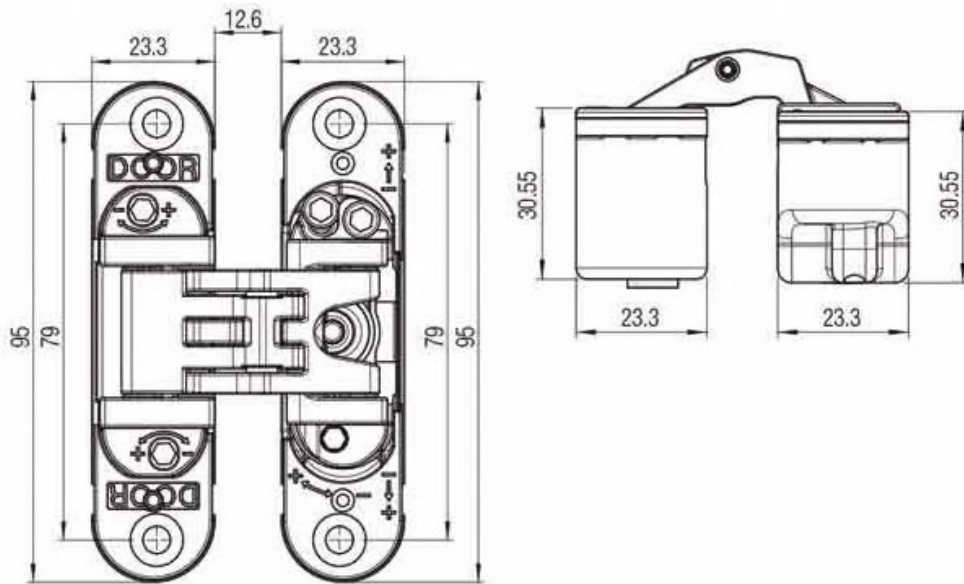


CHARNIÈRE INVISIBLE À ENCASTRER K6200

KOBLENZ



<https://www.socomenal.com/charniere-invisible-p58834>



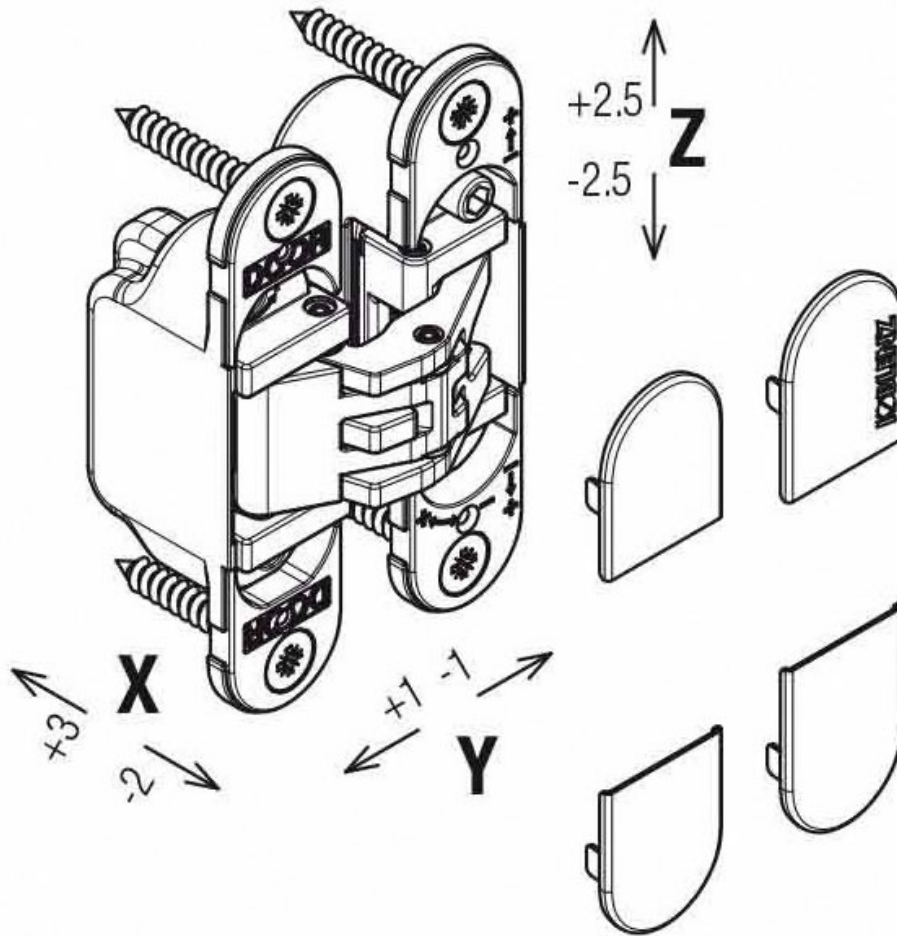
Tel : 03 88 78 96 96

Fax : 02 43 30 26 16

www.socomenal.com

CHARNIÈRE INVISIBLE À ENCASTRER K6200

KOBLENZ



<https://www.socomenal.com/charniere-invisible-p58834>



Tel : 03 88 78 96 96

Fax : 02 43 30 26 16

www.socomenal.com

CHARNIÈRE INVISIBLE À ENCASTRER K6200

KOBLENZ



Realizzazione
Version

ZAMA

Finitura - Finishing

min. 32 mm

Regolazione
Adjustment

3D
X

45 kg
(2: cerniere - hinges)

60 kg
(3/4: cerniere - hinges)

COVER

180°

Product Quality
Multi-use, concealed hinges
CAD 02081-01-0400
Reg. n° 2000001

30 min

UL LISTED
DOOR HINGE
RQ7182

ULC LISTED

<https://www.socomenal.com/charniere-invisible-p58834>



Tel : 03 88 78 96 96

Fax : 02 43 30 26 16

www.socomenal.com