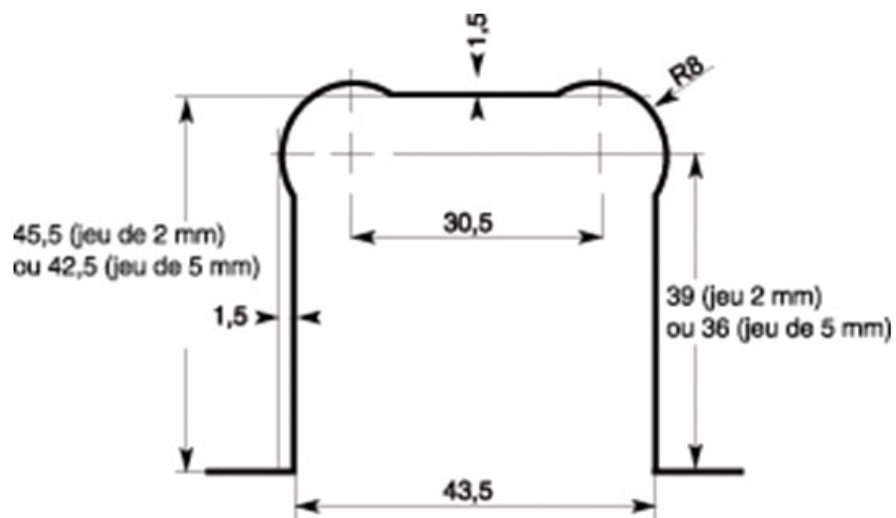


CHARNIÈRE MURALE CAPSI

ADLER



<https://www.socomenal.com/charniere-murale-capsi-p64776>



Tel : 03 88 78 96 96

Fax : 02 43 30 26 16

www.socomenal.com