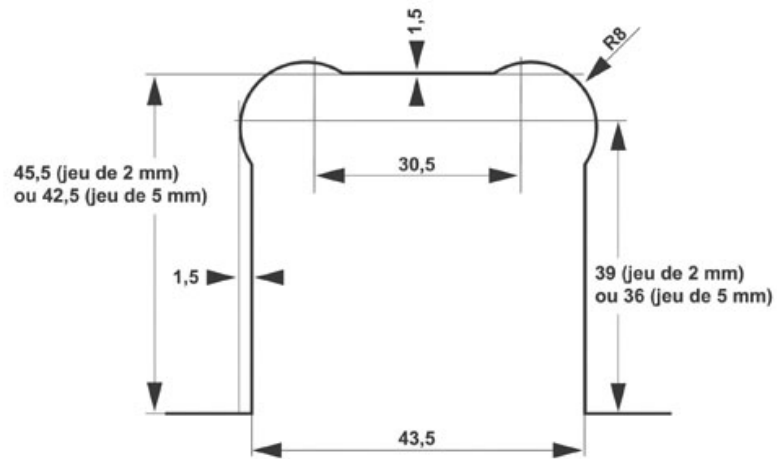


# CHARNIÈRE MURALE CAPSI

ADLER



<https://www.socomenal.com/charniere-murale-capsi-p7861>



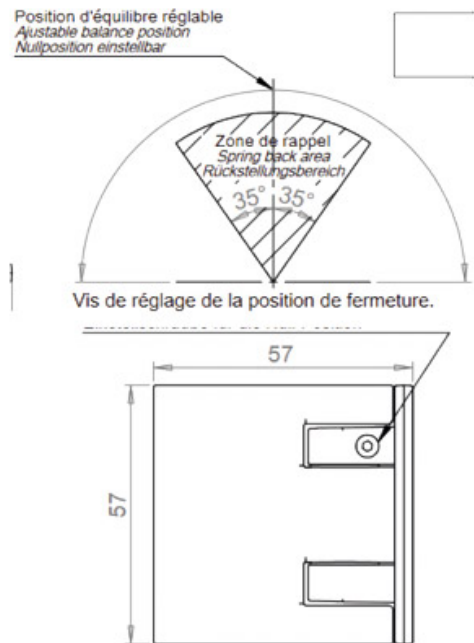
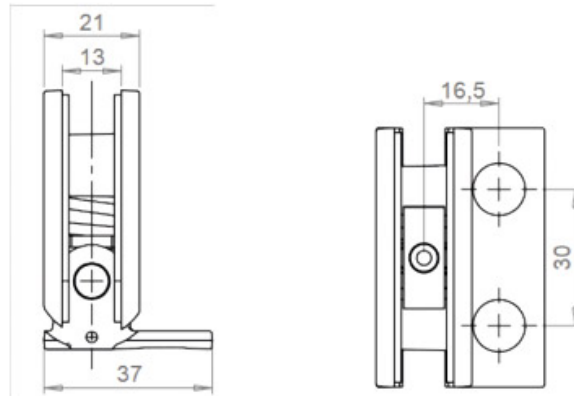
Tel : 03 88 78 96 96

Fax : 02 43 30 26 16

[www.socomenal.com](http://www.socomenal.com)

# CHARNIÈRE MURALE CAPSI

ADLER



<https://www.socomenal.com/charniere-murale-capsi-p7861>



Tel : 03 88 78 96 96

Fax : 02 43 30 26 16

[www.socomenal.com](http://www.socomenal.com)