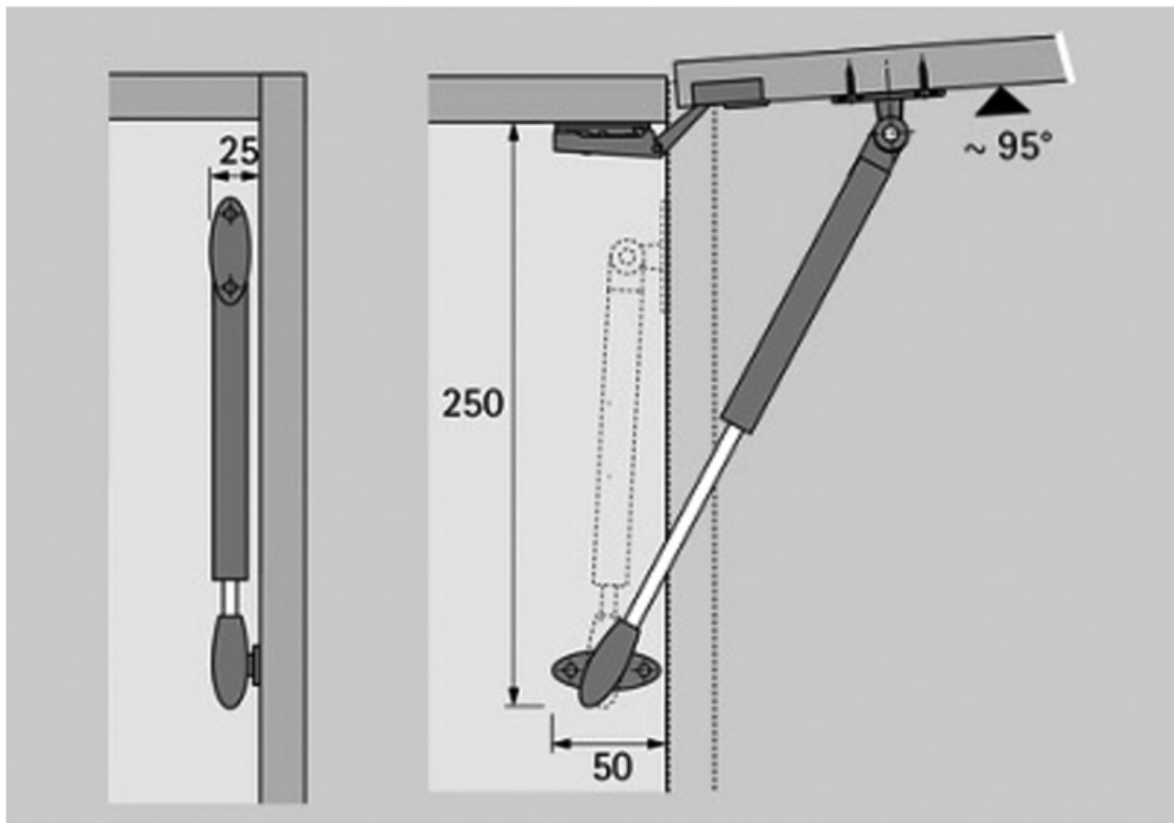


# COMPAS DE PORTE RELEVABLE LIFT BASIC

HETTICH



<https://www.socomenal.com/compas-de-porte-relevable-lift-basic-p22001>



Tel : 03 88 78 96 96

Fax : 02 43 30 26 16

[www.socomenal.com](http://www.socomenal.com)