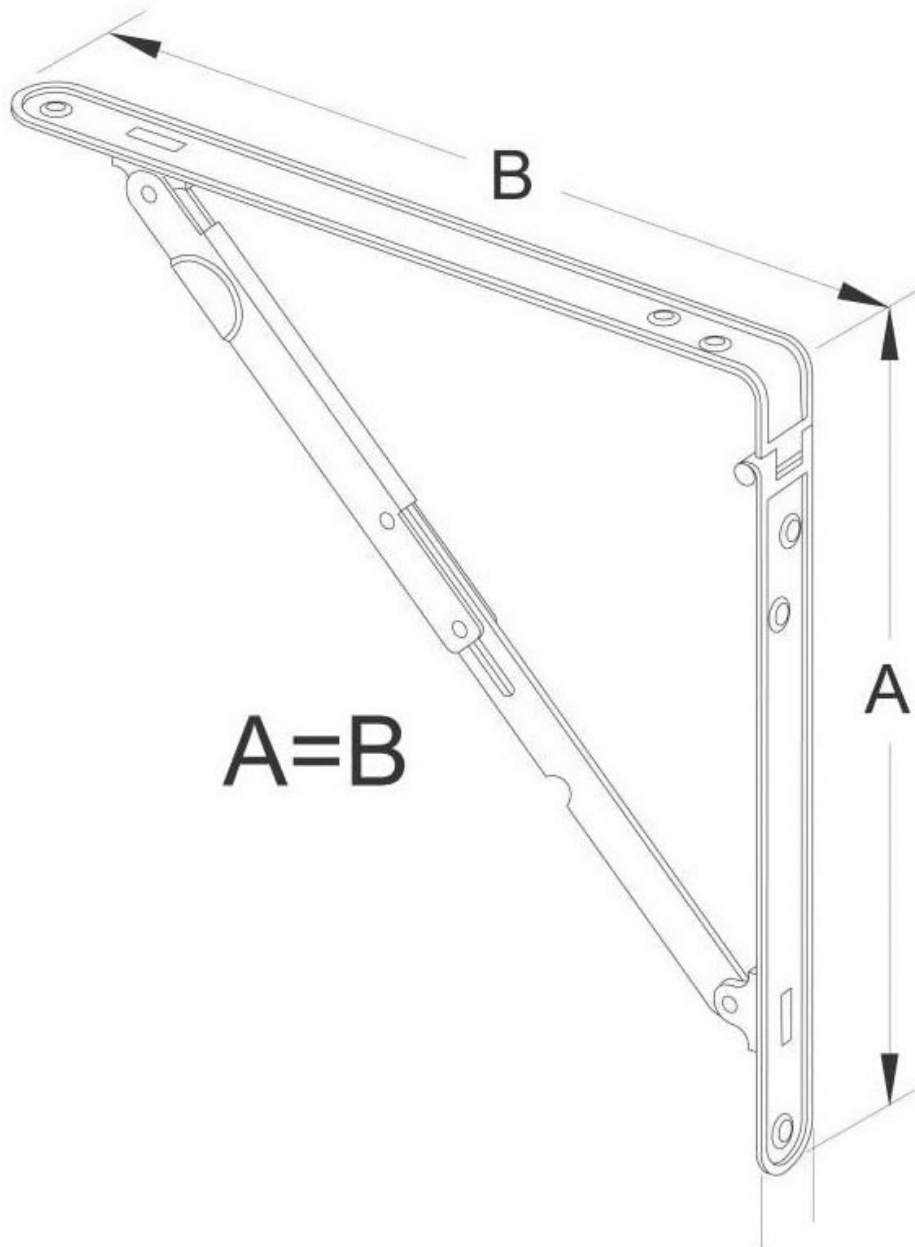


CONSOLE PLIANTE

ITAR



<https://www.socomenal.com/console-pliante-p31043>



Tel : 03 88 78 96 96

Fax : 02 43 30 26 16

www.socomenal.com