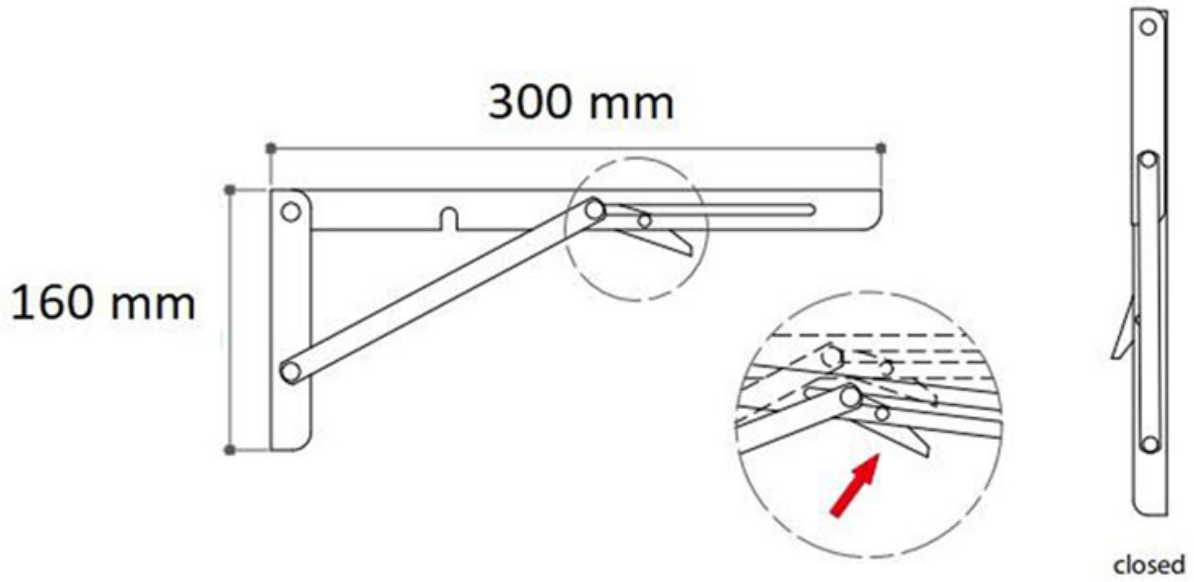


# CONSOLE PLIANTE

ITAR



<https://www.socomenal.com/console-pliante-p65018>



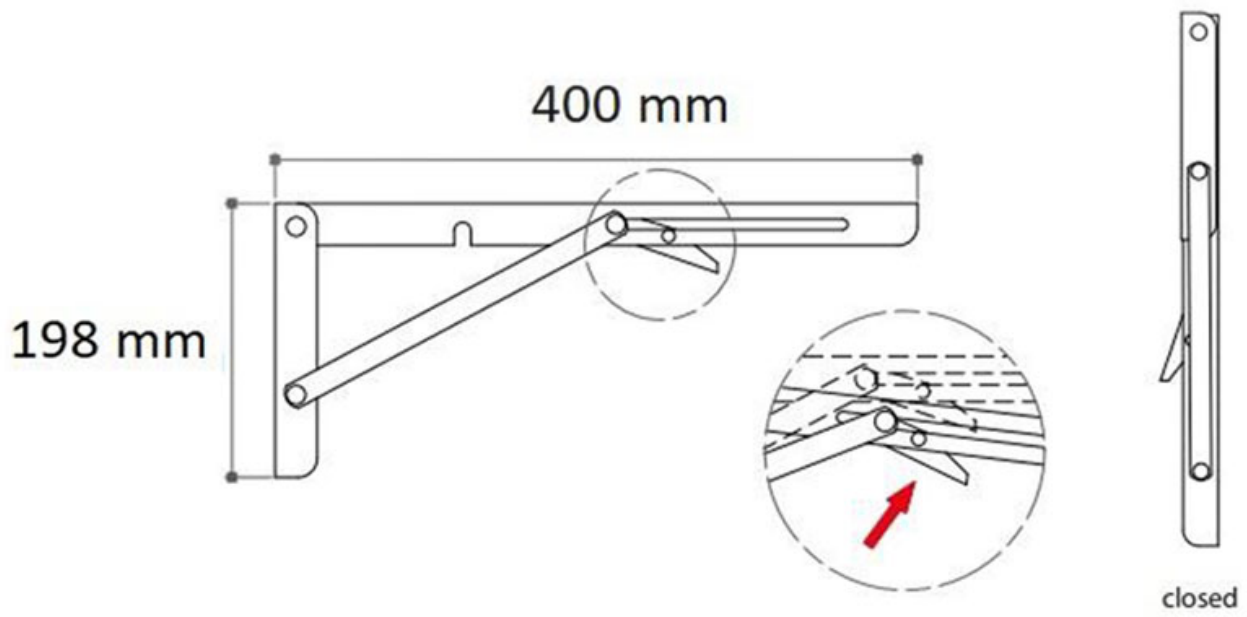
Tel : 03 88 78 96 96

Fax : 02 43 30 26 16

[www.socomenal.com](http://www.socomenal.com)

# CONSOLE PLIANTE

ITAR



<https://www.socomenal.com/console-pliante-p65018>



Tel : 03 88 78 96 96

Fax : 02 43 30 26 16

[www.socomenal.com](http://www.socomenal.com)