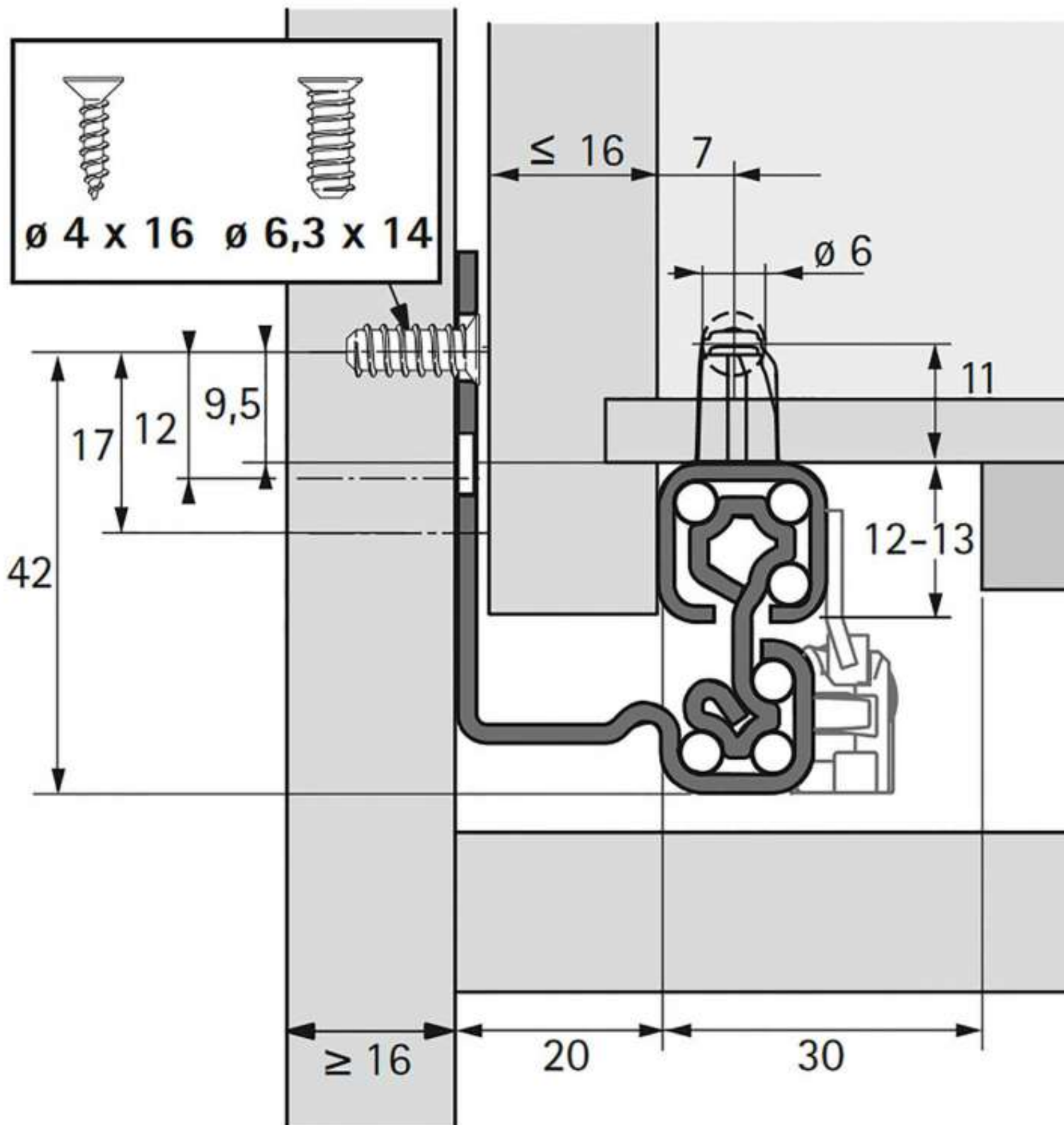


COULISSE BOIS QUADRO V6+ SILENT SYSTEM

HETTICH



<https://www.socomenal.com/coulisse-bois-quadro-v6-silent-system-p58943>



Tel : 03 88 78 96 96

Fax : 02 43 30 26 16

www.socomenal.com