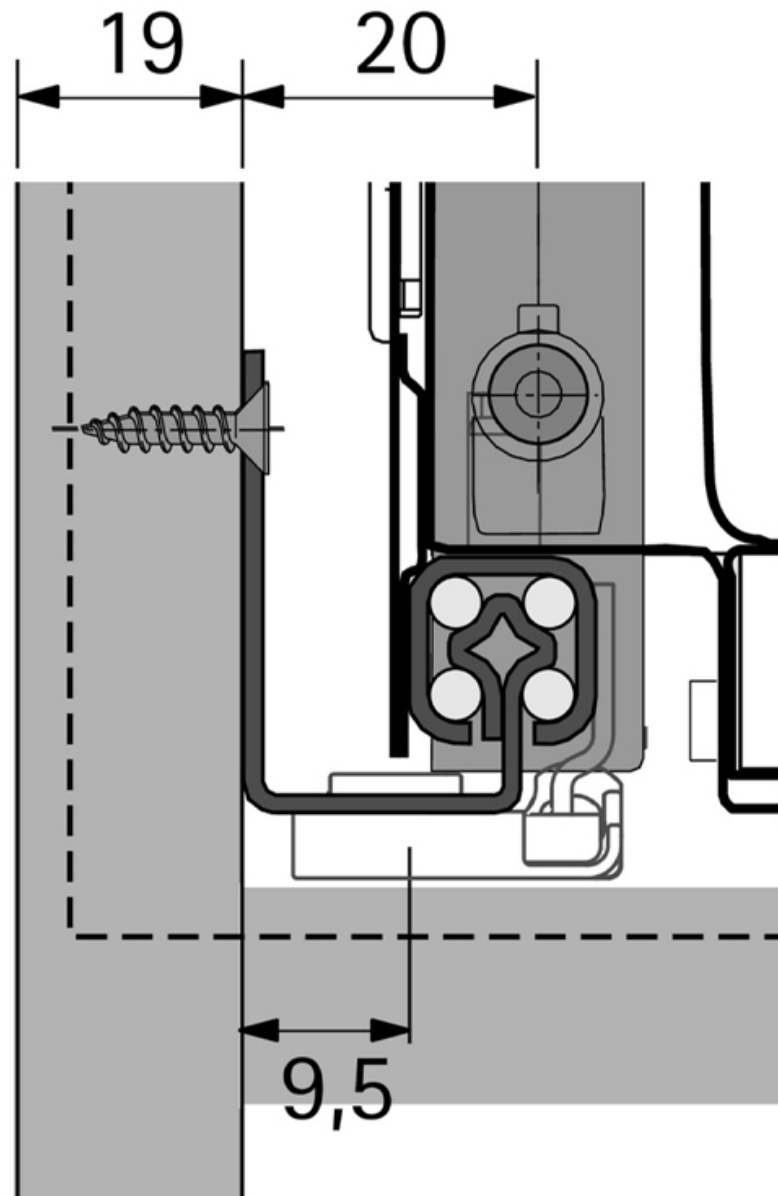


COULISSE QUADRO 25 SILENT SYSTEM

HETTICH



<https://www.socomenal.com/coulisse-quadro-25-silent-system-p26990>



Tel : 03 88 78 96 96

Fax : 02 43 30 26 16

www.socomenal.com