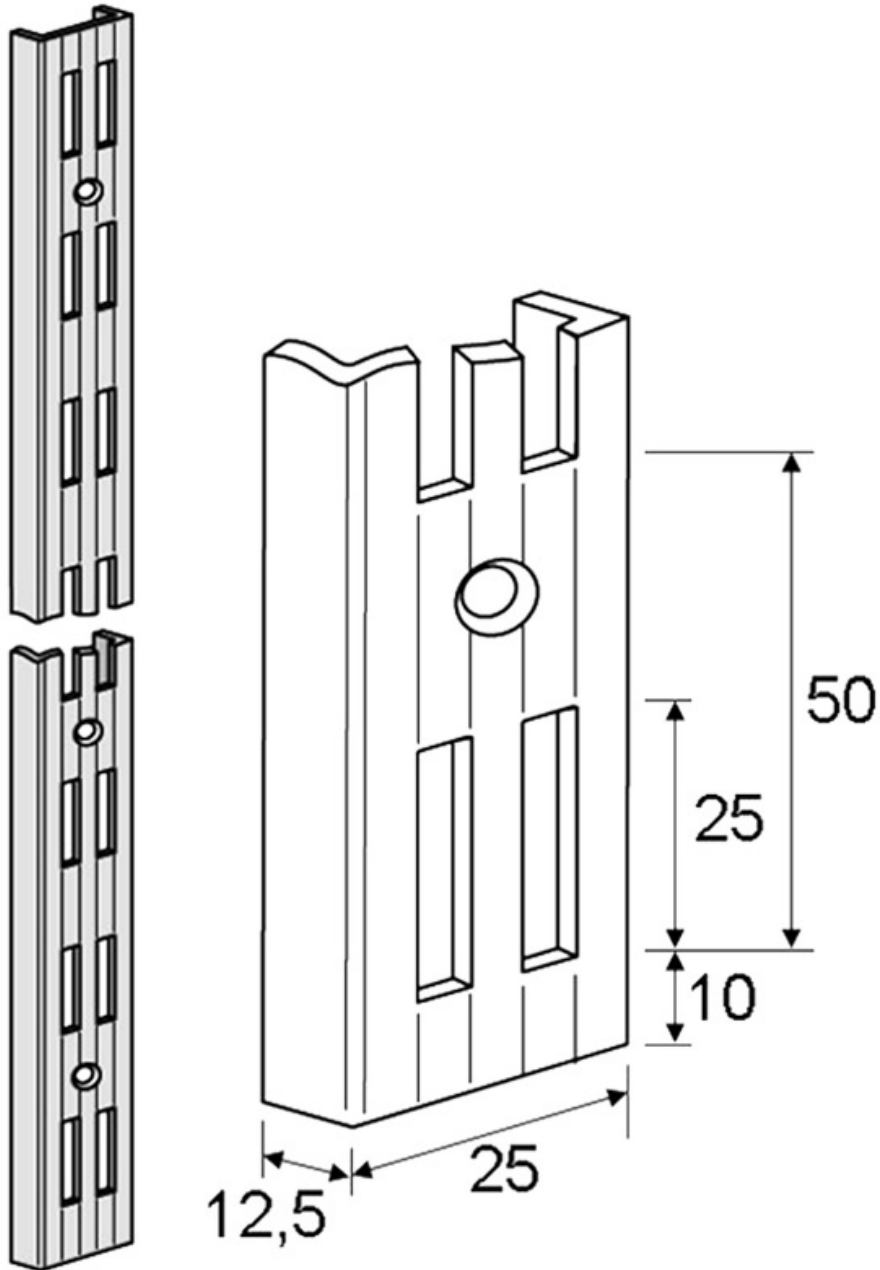


CRÉMAILLÈRE DOUBLE PERFORATION

ELEMENT SYSTEM

ELEMENT SYSTEM®



<https://www.socomenal.com/cremaille-doble-perforation-p10714>



Tel : 03 88 78 96 96

Fax : 02 43 30 26 16

www.socomenal.com