

<https://www.socomenal.com/dorado-40-if-p1416>



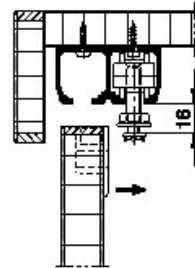
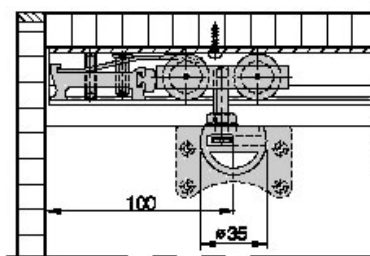
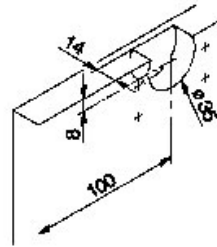
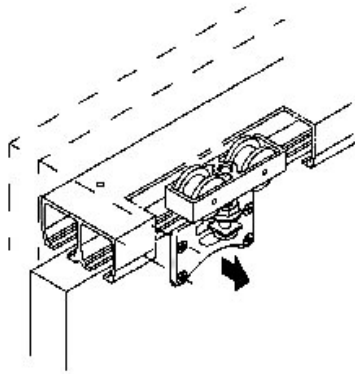
Tel : 03 88 78 96 96

Fax : 02 43 30 26 16

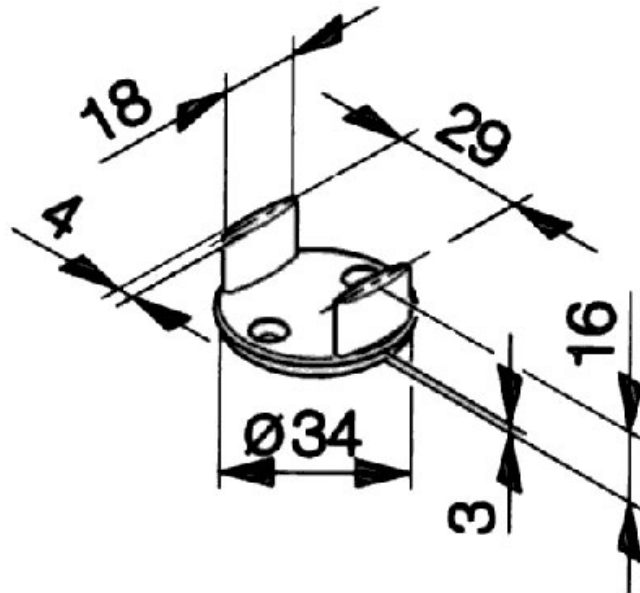
www.socomenal.com

DORADO 40 IF

HAWA



<https://www.socomenal.com/dorado-40-if-p1416>



<https://www.socomenal.com/dorado-40-if-p1416>