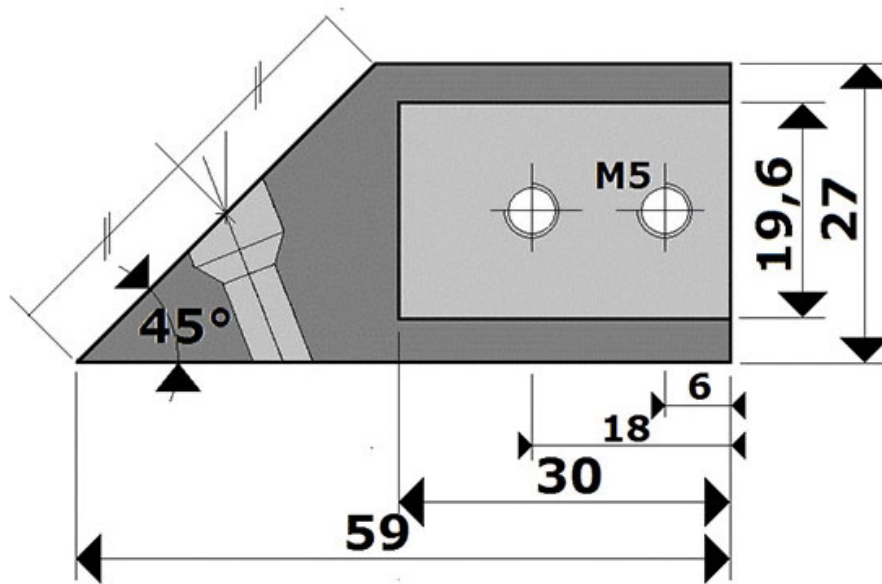


EMBASE MURALE 45°

ADLER



<https://www.socomenal.com/embase-murale-45deg-p59576>



Tel : 03 88 78 96 96

Fax : 02 43 30 26 16

www.socomenal.com