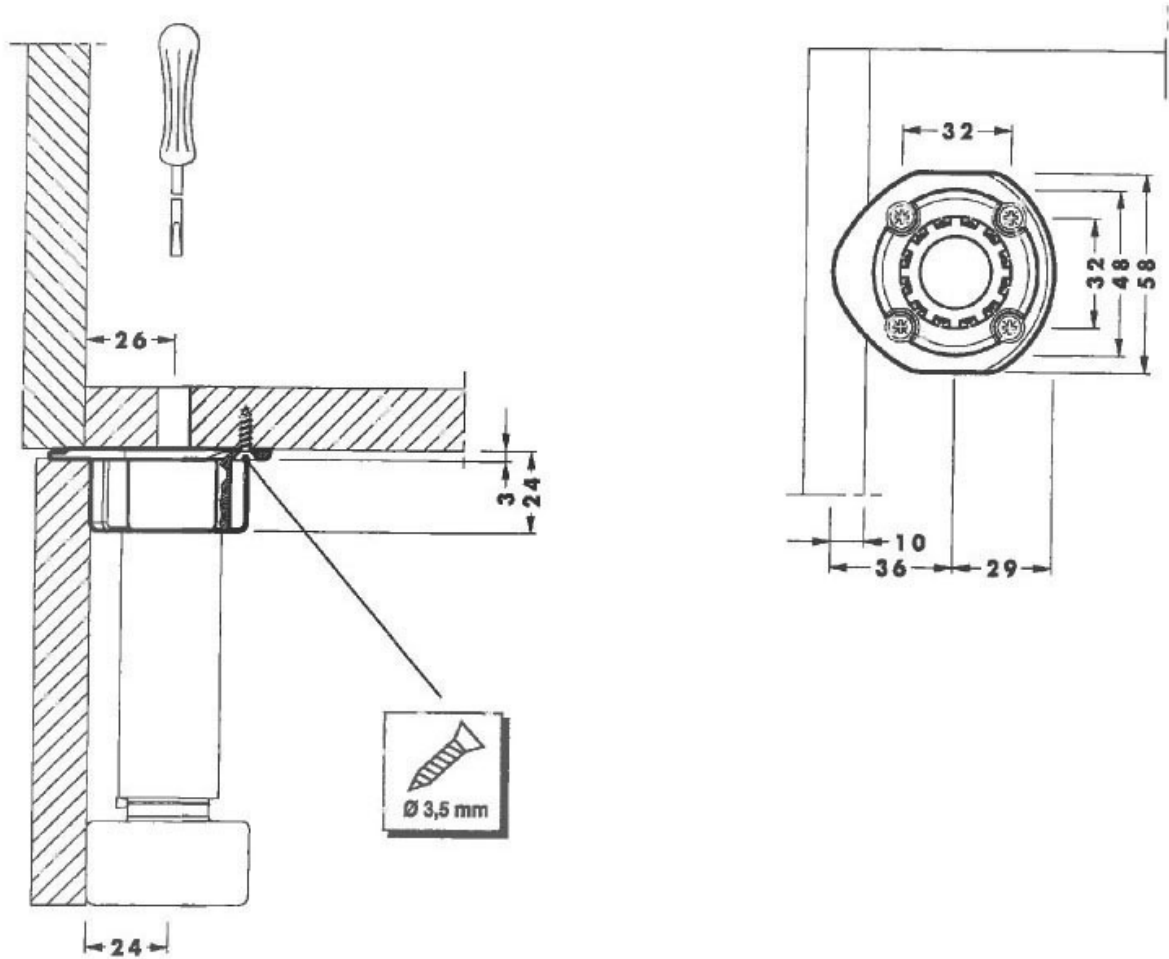


EMBASE SANS FILETAGE M10

CAMAR



<https://www.socomenal.com/embase-p11179>



Tel : 03 88 78 96 96

Fax : 02 43 30 26 16

www.socomenal.com