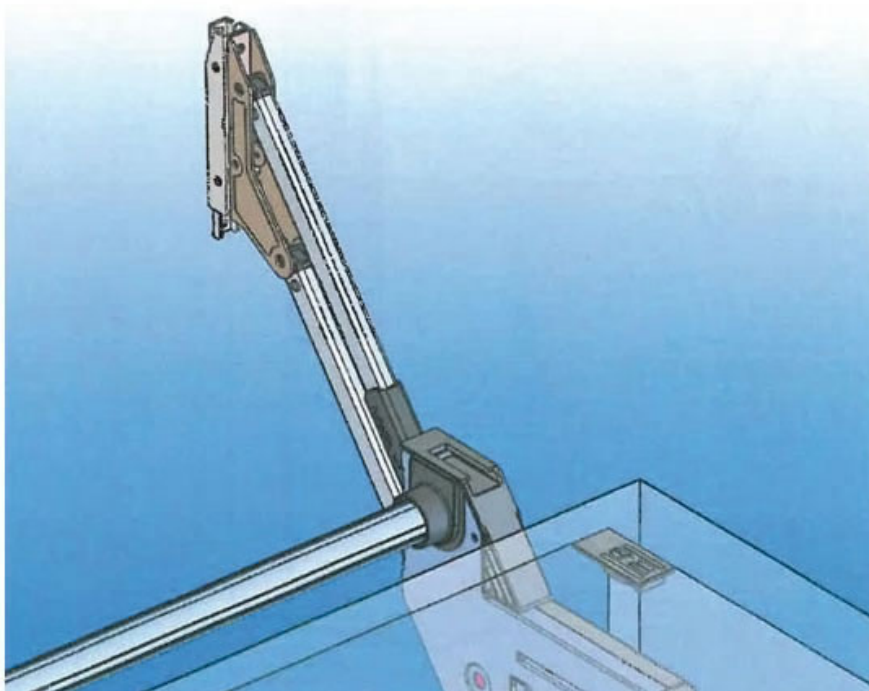
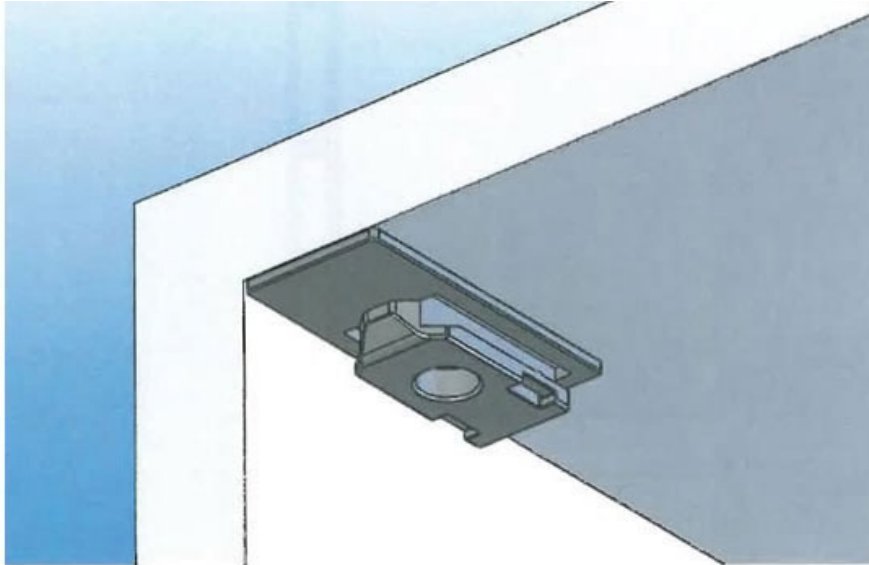


# FERRURE DE PORTE RELEVABLE SLU-ELAN

SUGATSUNE



<https://www.socomenal.com/ferrure-de-porte-relevable-slu-elan-p31042>



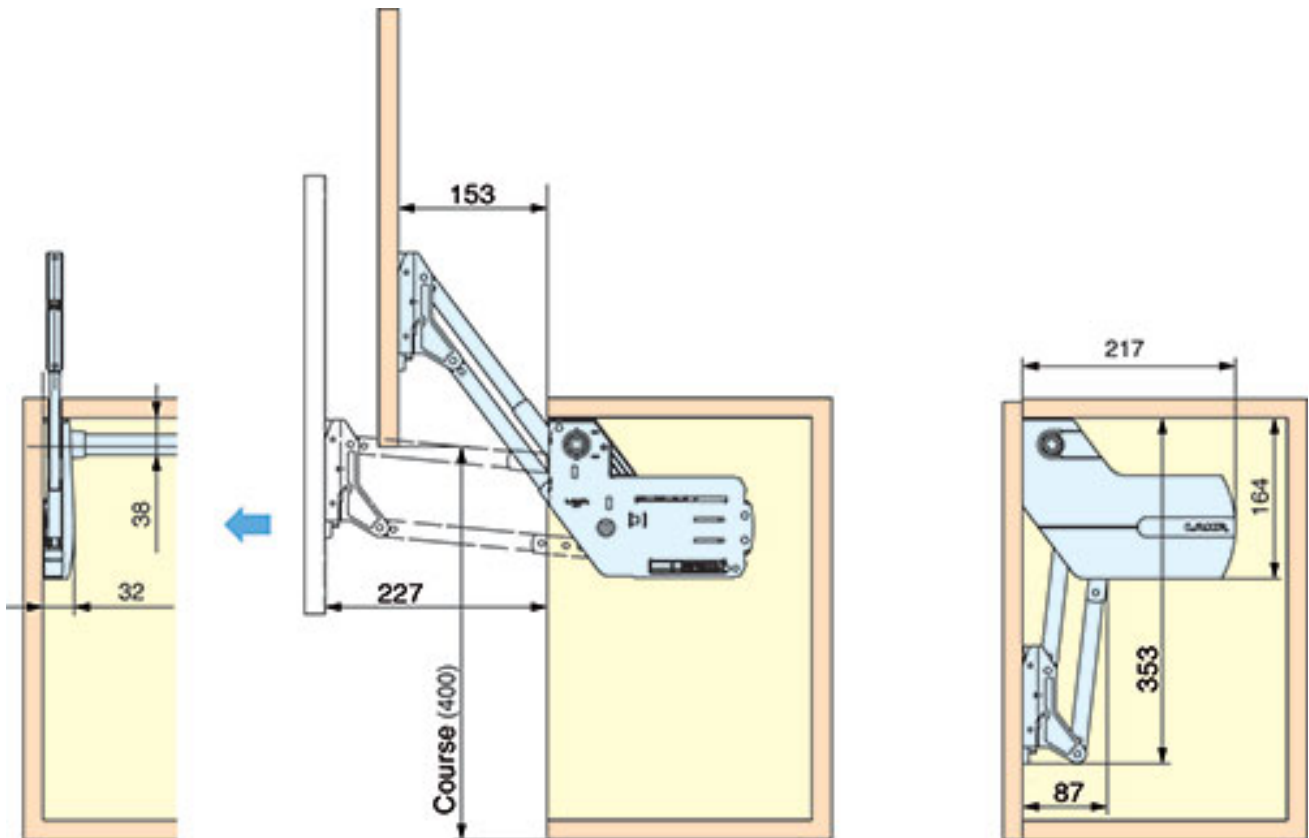
Tel : 03 88 78 96 96

Fax : 02 43 30 26 16

[www.socomenal.com](http://www.socomenal.com)

# FERRURE DE PORTE RELEVABLE SLU-ELAN

SUGATSUNE



<https://www.socomenal.com/ferrure-de-porte-relevable-slu-elan-p31042>



Tel : 03 88 78 96 96

Fax : 02 43 30 26 16

[www.socomenal.com](http://www.socomenal.com)