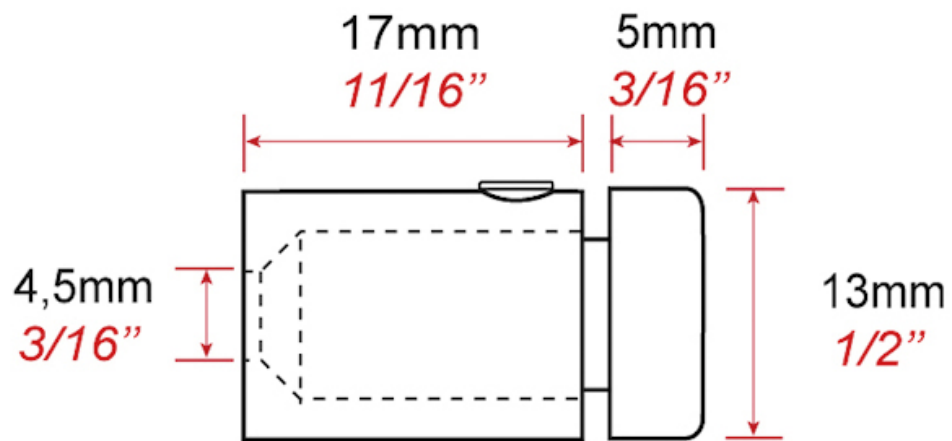


FIXATION MURALE PERCÉE

ITAR



<https://www.socomenal.com/fixation-murale-percee-p5185>



Tel : 03 88 78 96 96

Fax : 02 43 30 26 16

www.socomenal.com