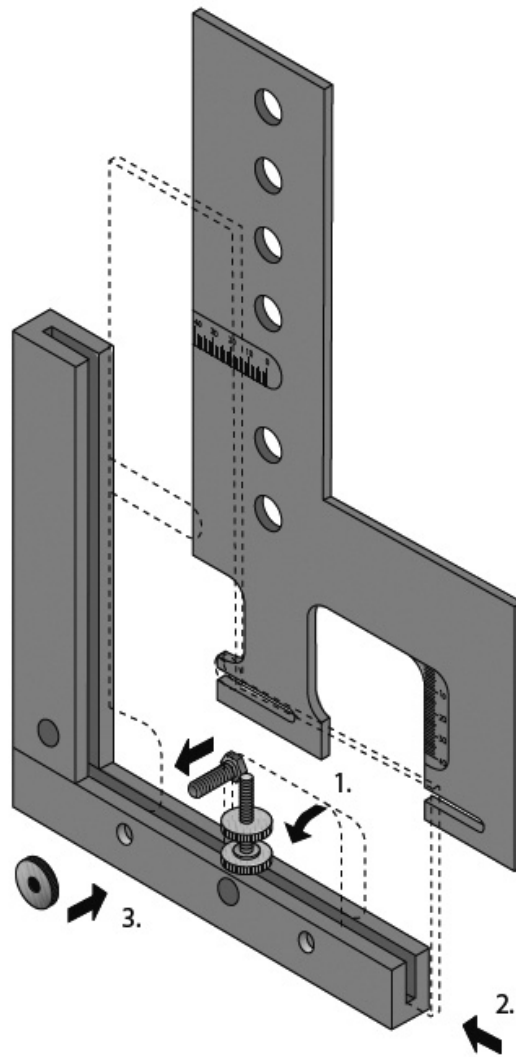


# GABARIT DE PERÇAGE PRACTICA INNOTECH ATIRA

HETTICH



<https://www.socomenal.com/gabarit-practica-pour-percege-d-attache-facade-innotech-atira--p22776>



Tel : 03 88 78 96 96

Fax : 02 43 30 26 16

[www.socomenal.com](http://www.socomenal.com)