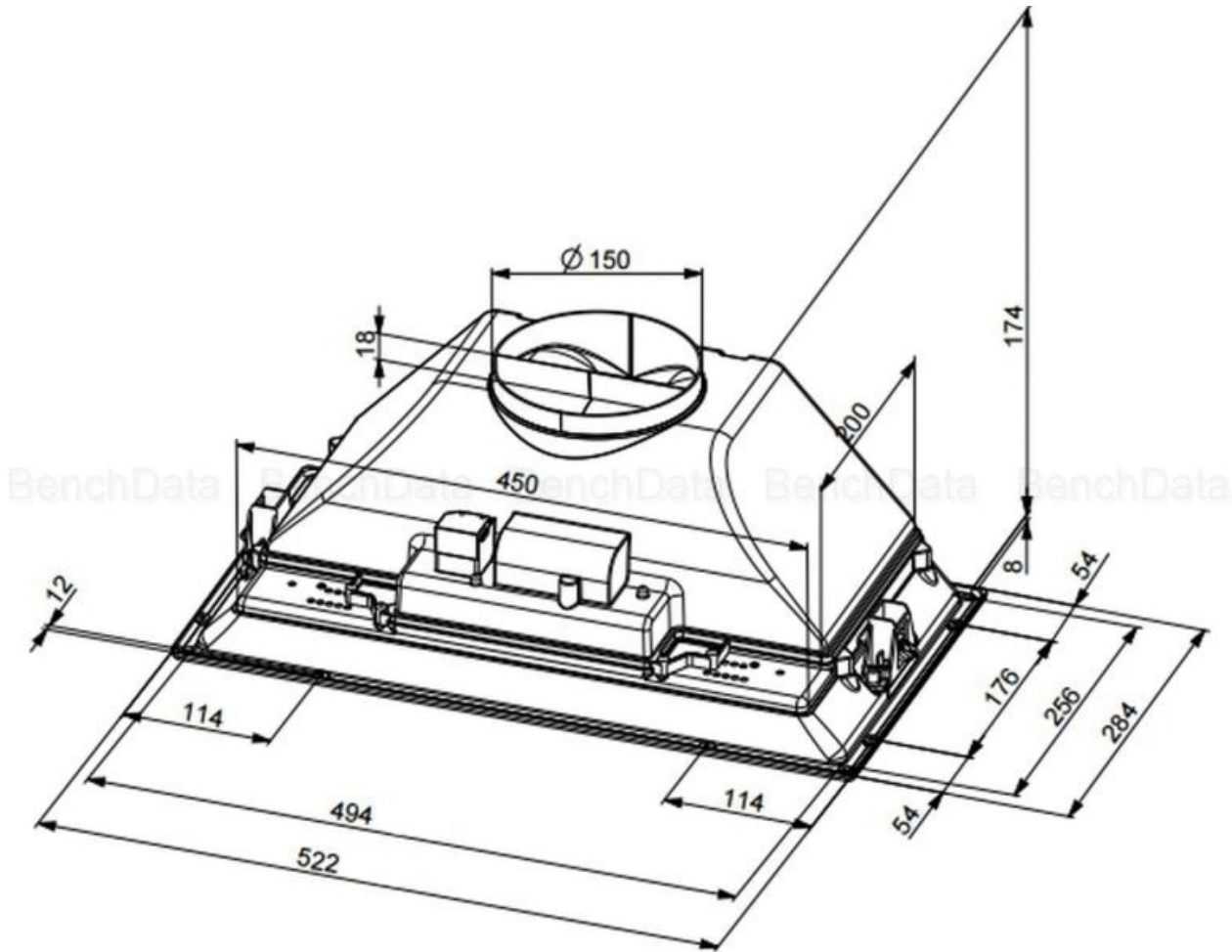


HOTTE MOTORISEE ENCASTRABLE FBI STUDIO 520MM

FRANKE



<https://www.socomenal.com/hotte-motorisee-encastrable-fbi-studio-520mm-p60860>



Tel : 03 88 78 96 96

Fax : 02 43 30 26 16

www.socomenal.com