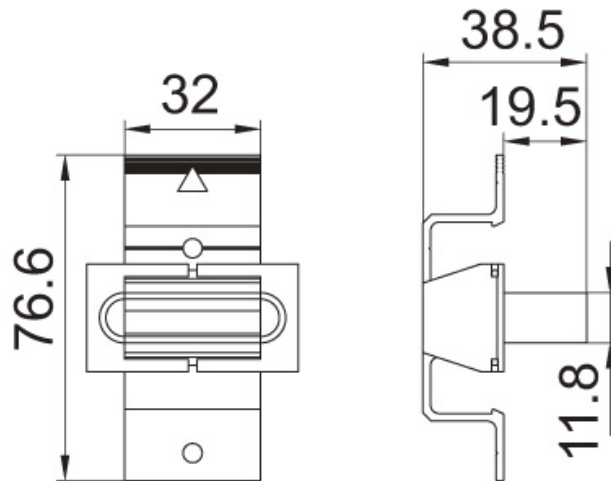
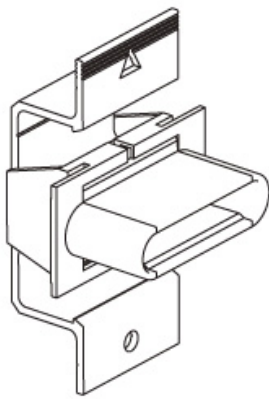


INSERT LOFT 1

SOFADI



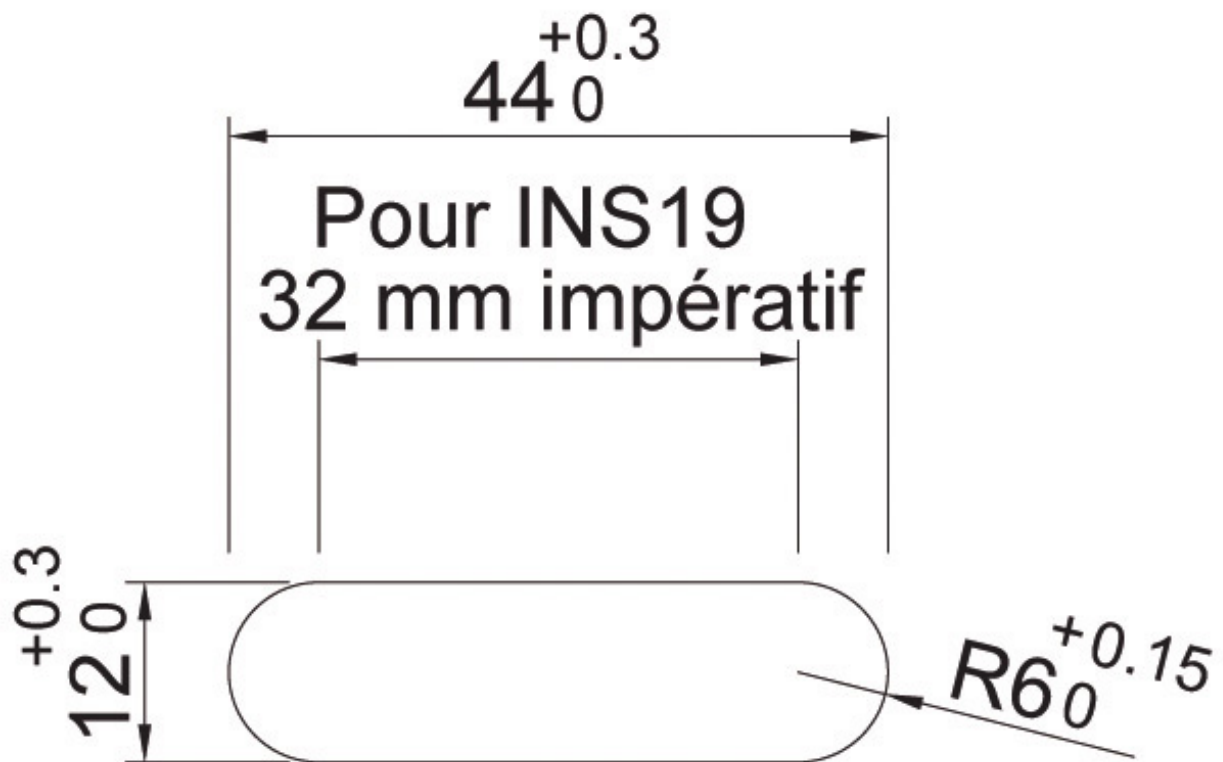
<https://www.socomenal.com/insert-loft-1-p30623>



Tel : 03 88 78 96 96

Fax : 02 43 30 26 16

www.socomenal.com



<https://www.socomenal.com/insert-loft-1-p30623>