

# MINI SPOT LED DE VITRINE 12V

VOKIL



<https://www.socomenal.com/mini-spot-led-de-vitrine-12v-orientable-encastrable-p60006>



Tel : 03 88 78 96 96

Fax : 02 43 30 26 16

[www.socomenal.com](http://www.socomenal.com)

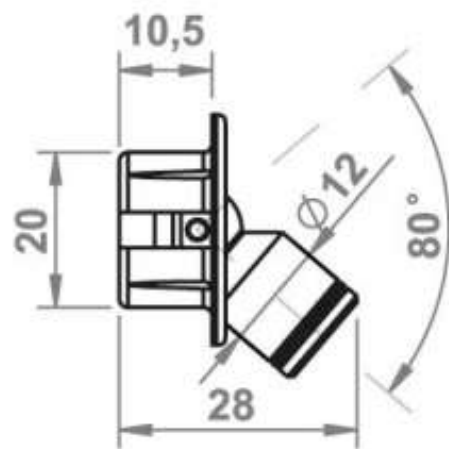
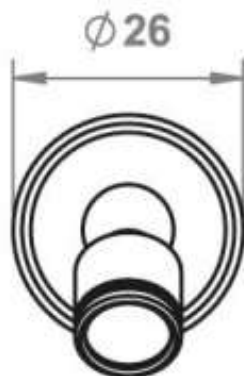
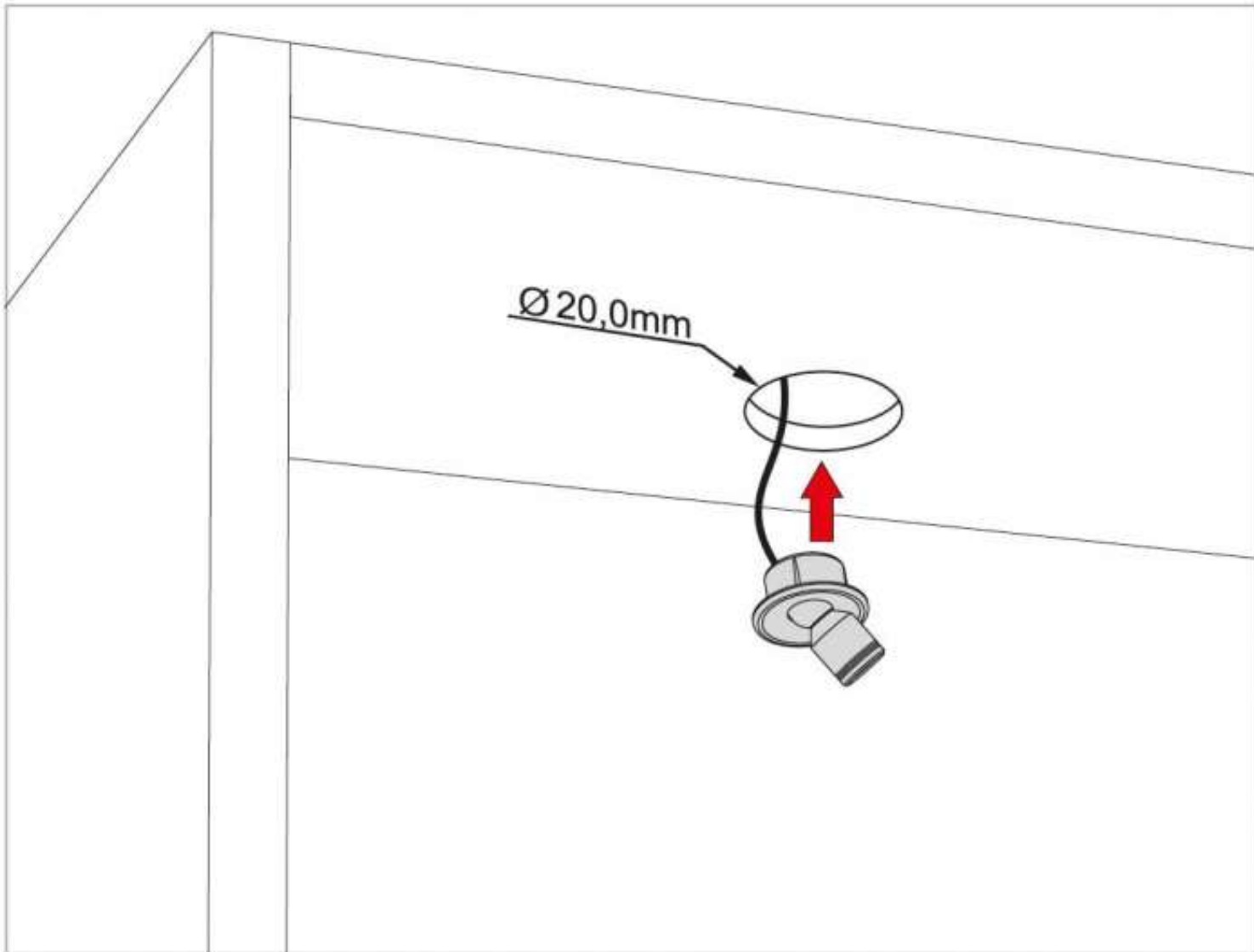


## Mini prise M1

<https://www.socomenal.com/mini-spot-led-de-vitrine-12v-orientable-encastrable-p60006>

# MINI SPOT LED DE VITRINE 12V

VOKIL



<https://www.socomenal.com/mini-spot-led-de-vitrine-12v-orientable-encastrable-p60006>



Tel : 03 88 78 96 96

Fax : 02 43 30 26 16

[www.socomenal.com](http://www.socomenal.com)