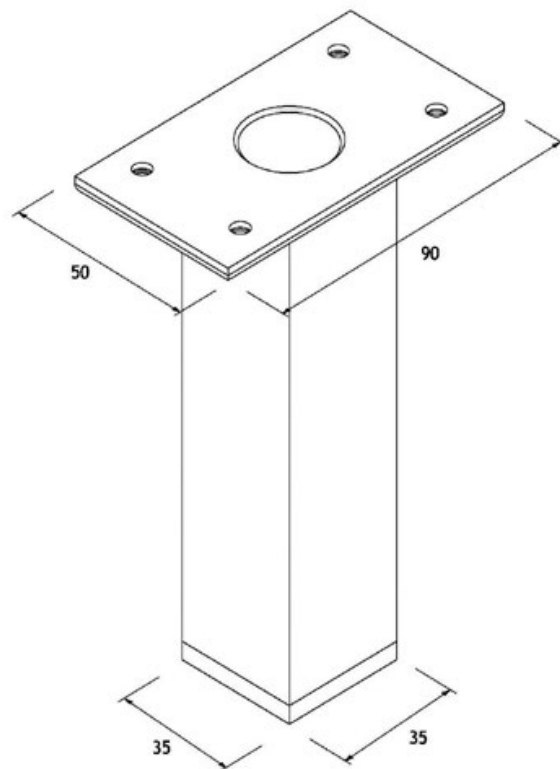


PIED CARRÉ ALU 35X35

OPES



<https://www.socomenal.com/pied-carre-alu-35x35-p8149>



Tel : 03 88 78 96 96

Fax : 02 43 30 26 16

www.socomenal.com