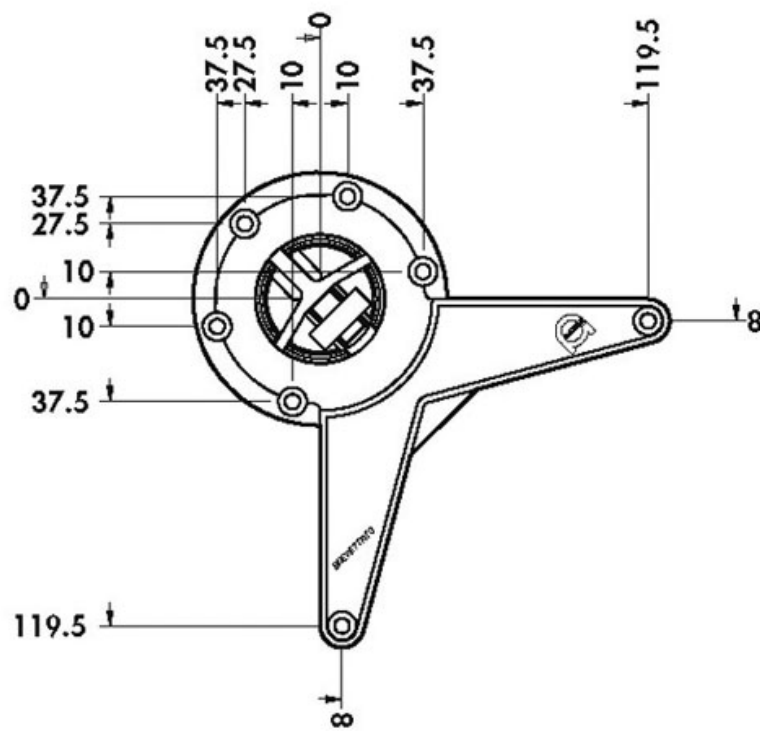


PIED DE TABLE ALUMINIUM CANNELE Ø60

CAMAR



<https://www.socomenal.com/pied-de-table-aluminium-cannele-o60-p677>



Tel : 03 88 78 96 96

Fax : 02 43 30 26 16

www.socomenal.com