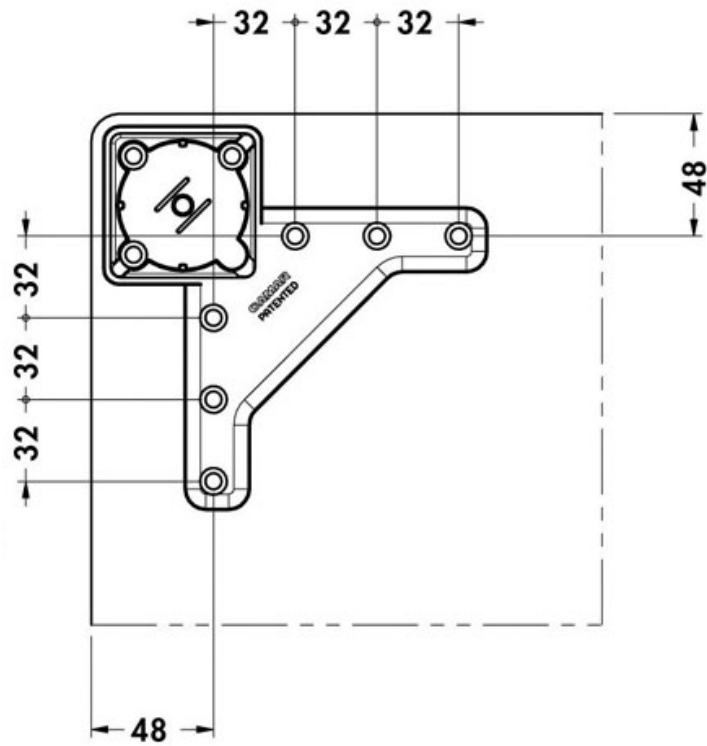


PIED DE TABLE CARRÉ ALUMINIUM CANNELE

CAMAR



<https://www.socomenal.com/pied-de-table-carre-aluminium-cannele-p6932>



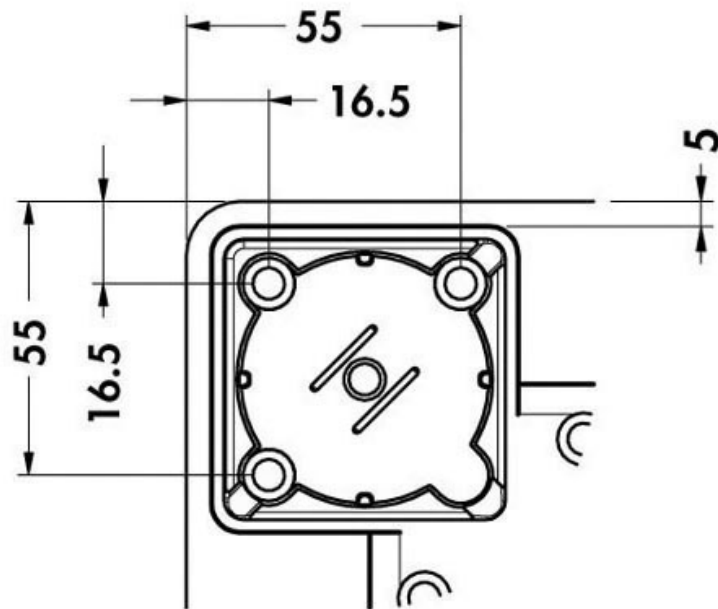
Tel : 03 88 78 96 96

Fax : 02 43 30 26 16

www.socomenal.com

PIED DE TABLE CARRÉ ALUMINIUM CANNELE

CAMAR



<https://www.socomenal.com/pied-de-table-carre-aluminium-cannele-p6932>



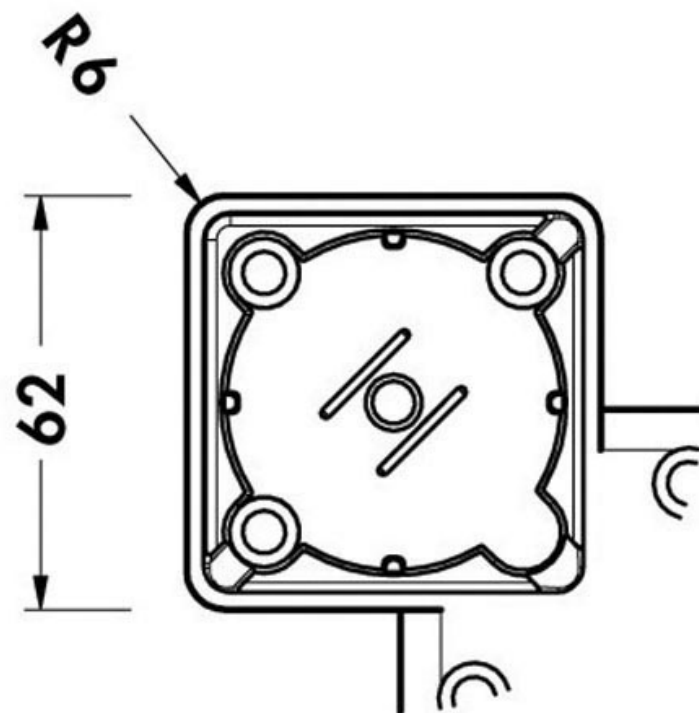
Tel : 03 88 78 96 96

Fax : 02 43 30 26 16

www.socomenal.com

PIED DE TABLE CARRÉ ALUMINIUM CANNELE

CAMAR



<https://www.socomenal.com/pied-de-table-carre-aluminium-cannele-p6932>



Tel : 03 88 78 96 96

Fax : 02 43 30 26 16

www.socomenal.com