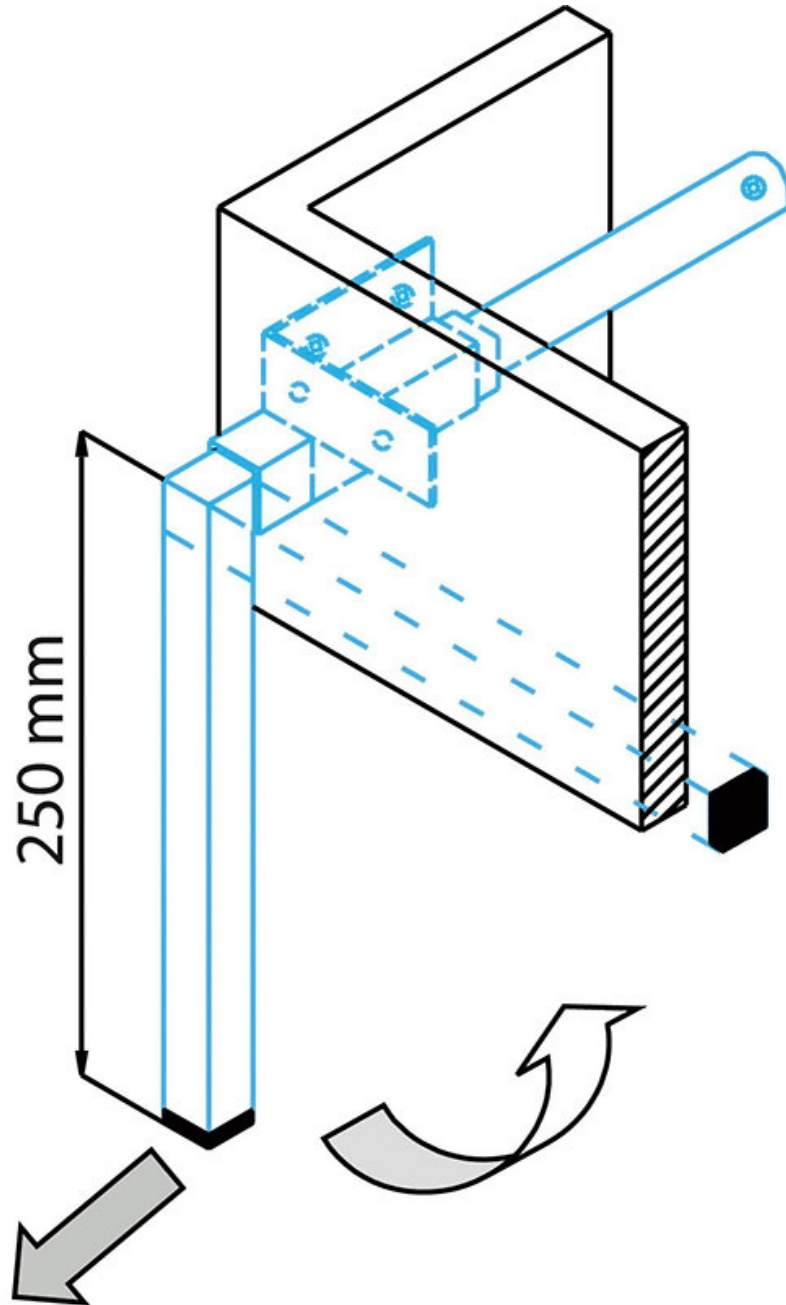


PIED ESCAMOTABLE

GILARDI



<https://www.socomenal.com/pied-escamotable-p4122>



Tel : 03 88 78 96 96

Fax : 02 43 30 26 16

www.socomenal.com