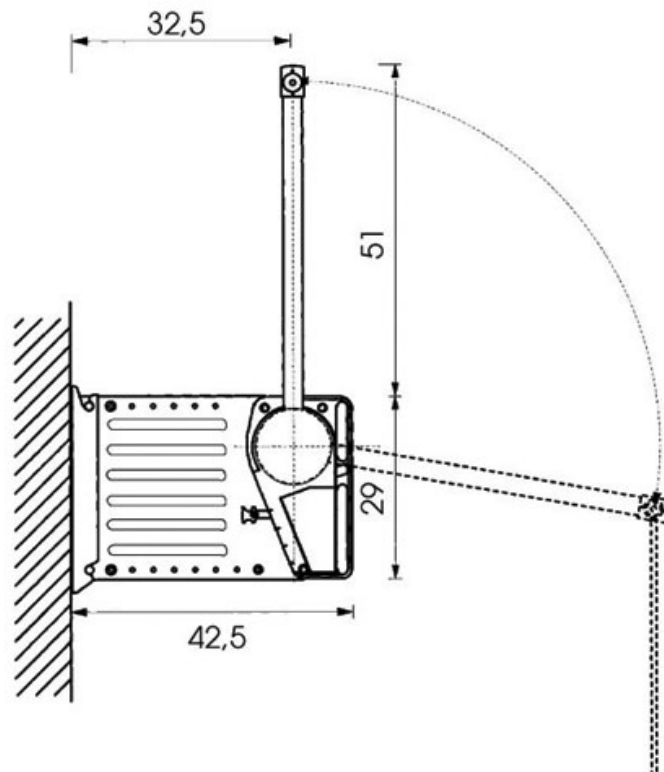


PLATINE DE FIXATION MURALE

AMBOS



<https://www.socomenal.com/platine-de-fixation-murale-a-charge-reglable-p8551>



Tel : 03 88 78 96 96

Fax : 02 43 30 26 16

www.socomenal.com