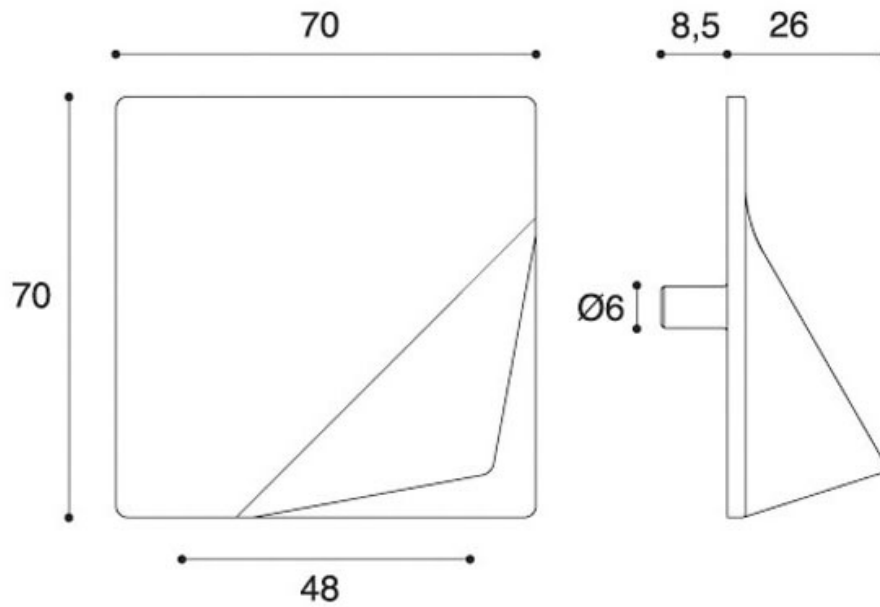
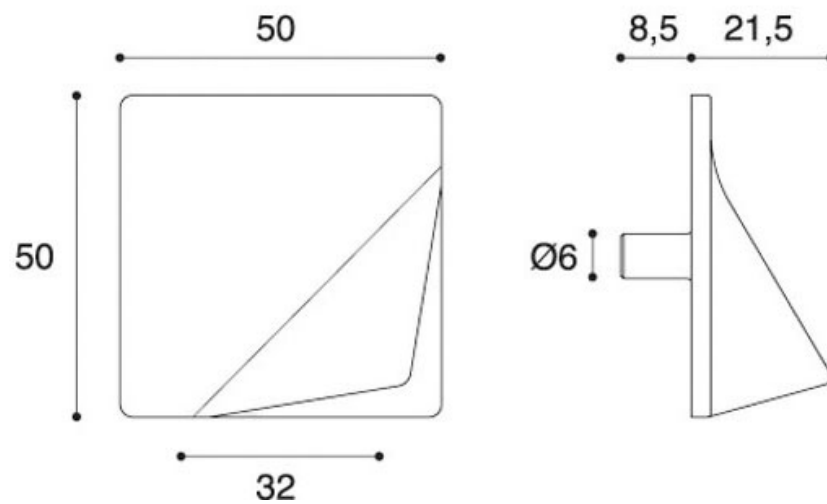


MB090142/A



MB090142/B



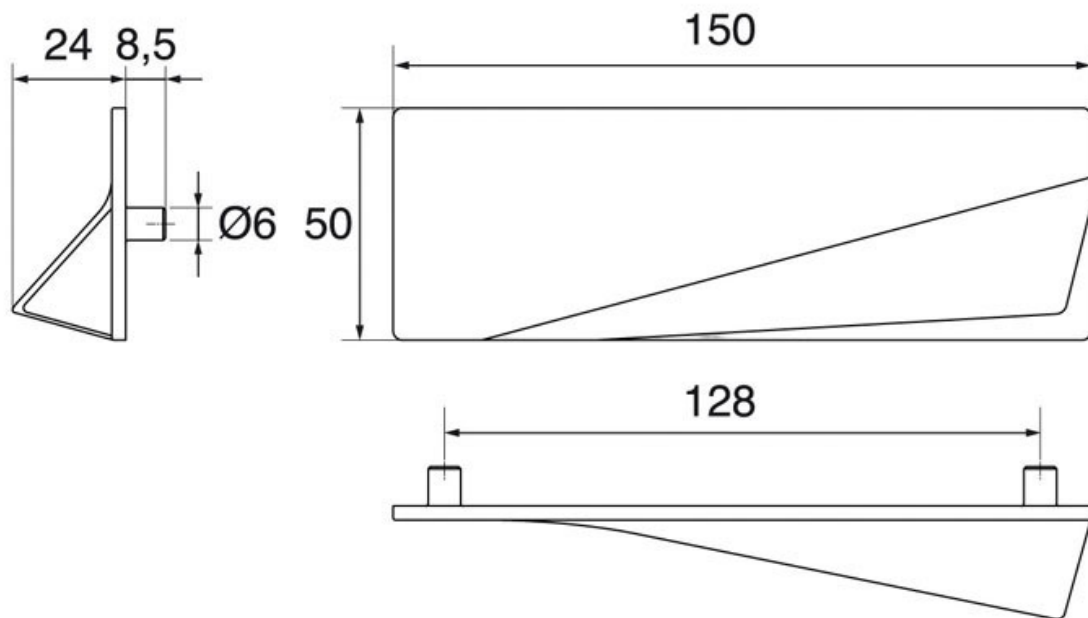
<https://www.socomenal.com/poignee-coin-replie-p58987>



POIGNÉE COIN REPLIÉ ZAMAC

CONFALONIERI

CONFALONIERI



<https://www.socomenal.com/poignee-coin-replie-p58987>



Tel : 03 88 78 96 96

Fax : 02 43 30 26 16

www.socomenal.com