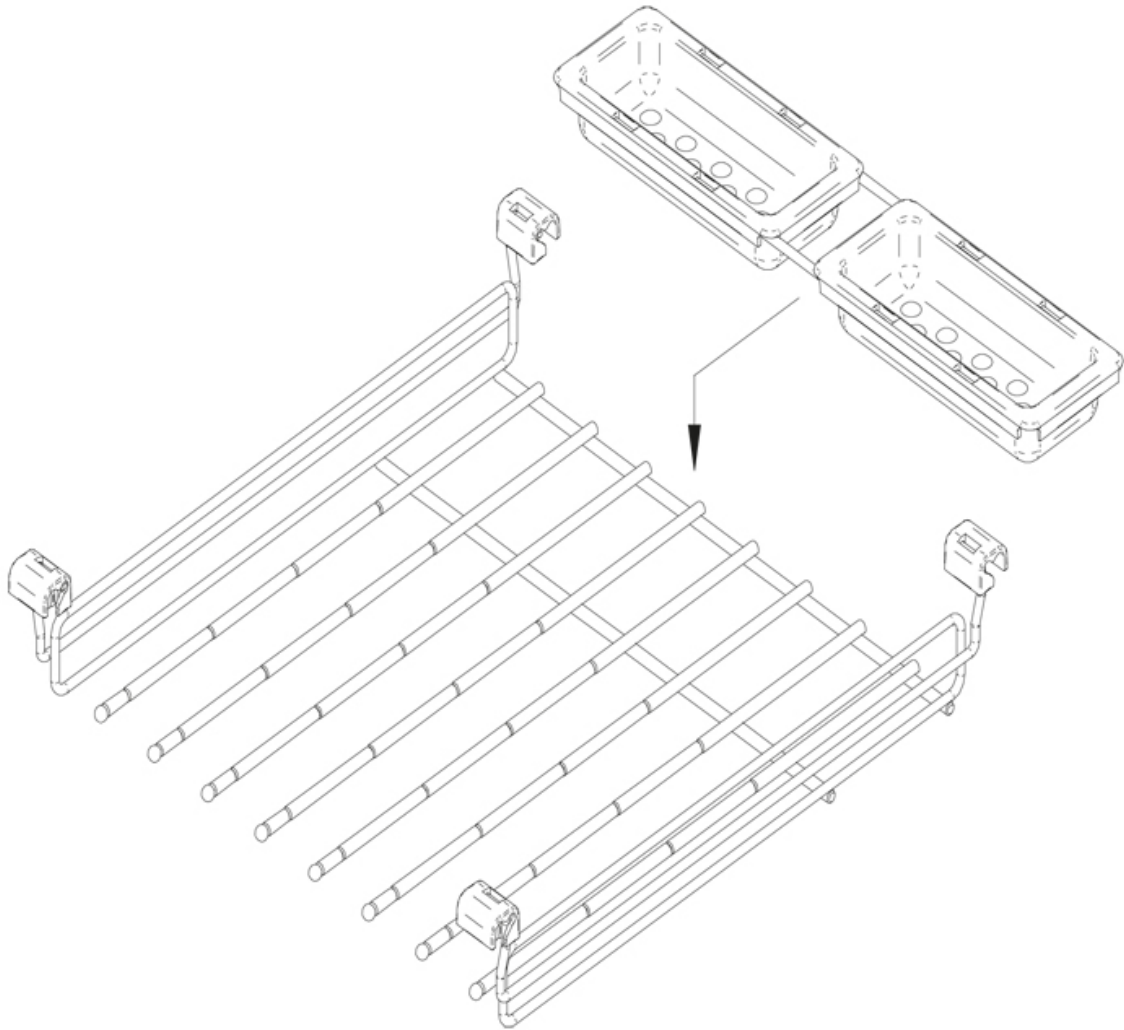


# PORTE PANTALONS

VIBO

**VIBO**  
Design your space



<https://www.socomenal.com/porte-pantalons-p30521>



Tel : 03 88 78 96 96

Fax : 02 43 30 26 16

[www.socomenal.com](http://www.socomenal.com)