

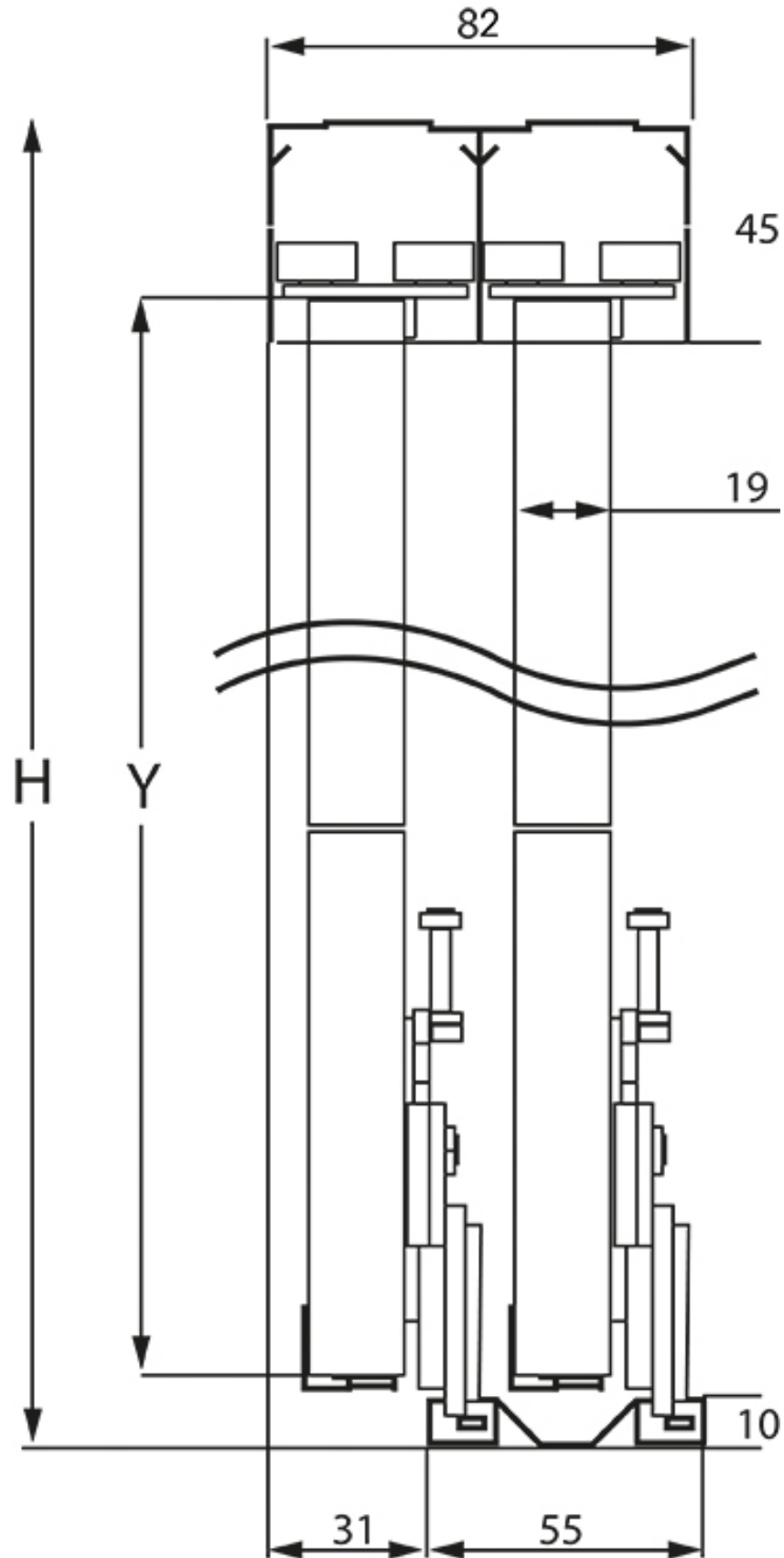
<https://www.socomenal.com/profil-poignee-pro-line-p8309>



Tel : 03 88 78 96 96

Fax : 02 43 30 26 16

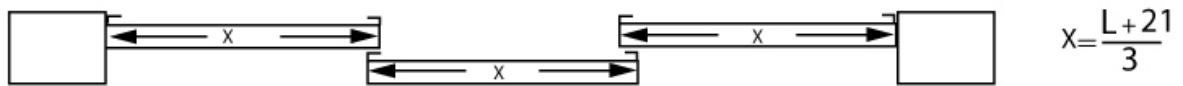
www.socomenal.com



<https://www.socomenal.com/profil-poignee-pro-line-p8309>

PROFIL POIGNÉE PRO'LINE

SEED



<https://www.socomenal.com/profil-poignee-pro-line-p8309>



Tel : 03 88 78 96 96

Fax : 02 43 30 26 16

www.socomenal.com