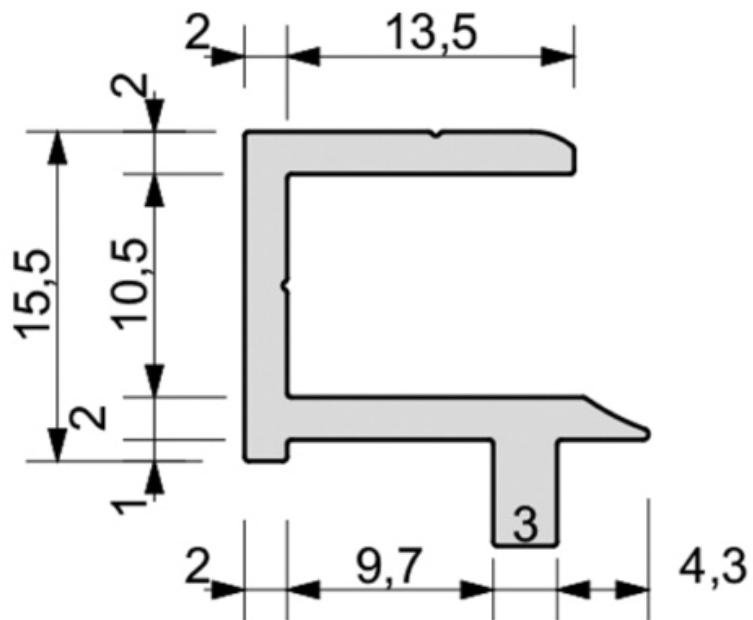


PROFIL SUPPORT MURAL HAUT

ZOBAL

ZOBAL



<https://www.socomenal.com/profil-support-mural-haut-p8479>



Tel : 03 88 78 96 96

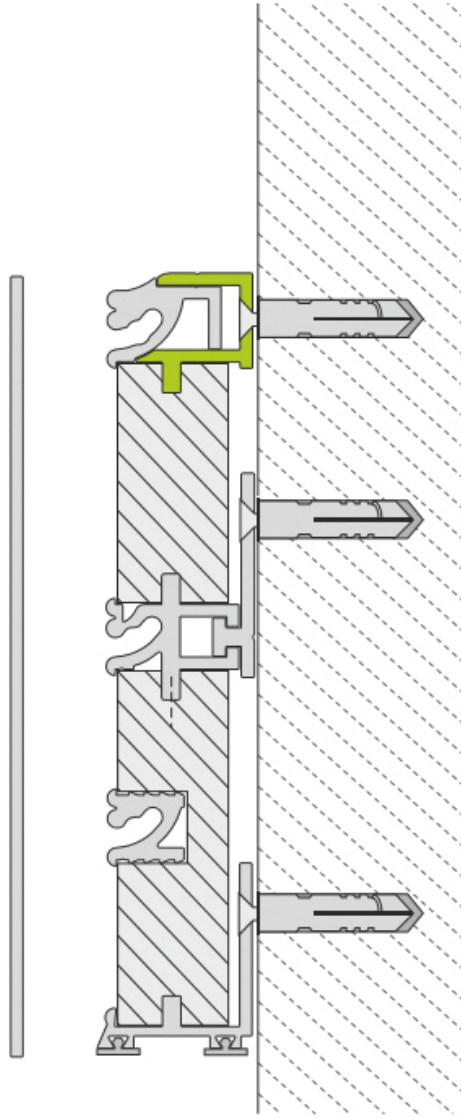
Fax : 02 43 30 26 16

www.socomenal.com

PROFIL SUPPORT MURAL HAUT

ZOBAL

ZOBAL



<https://www.socomenal.com/profil-support-mural-haut-p8479>



Tel : 03 88 78 96 96

Fax : 02 43 30 26 16

www.socomenal.com