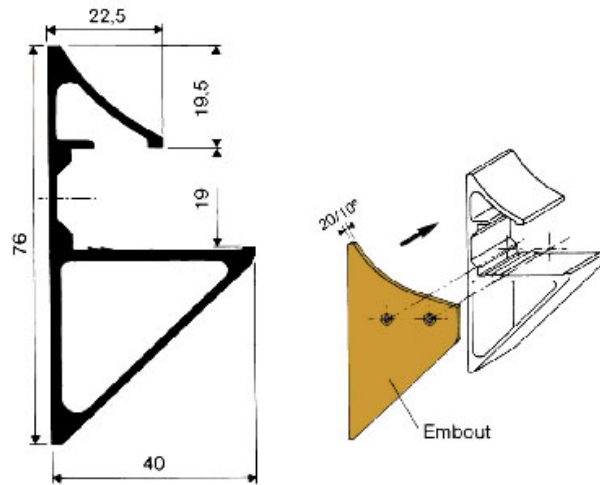


PROFIL SUPPORT TABLETTE

ITAR



<https://www.socomenal.com/profil-support-tablette-p2226>

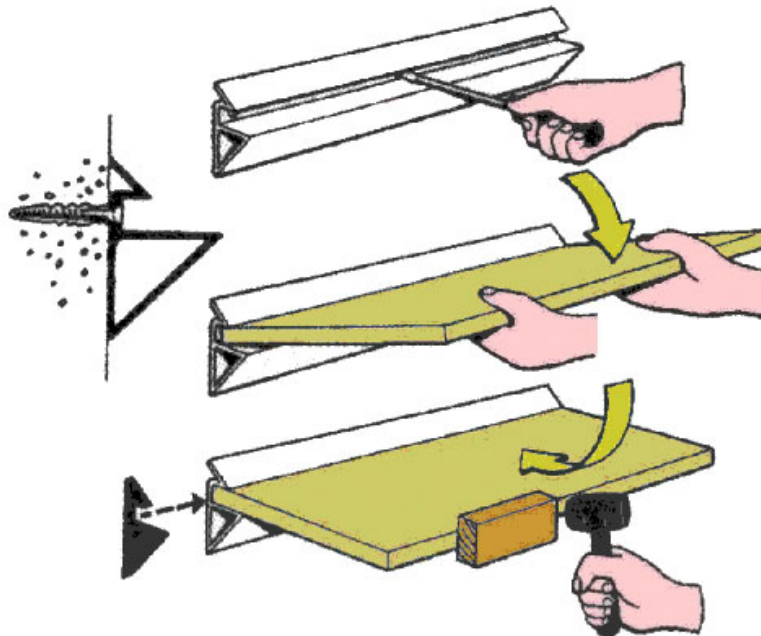


Tel : 03 88 78 96 96

Fax : 02 43 30 26 16

www.socomenal.com

MONTAGE



<https://www.socomenal.com/profil-support-tablette-p2226>