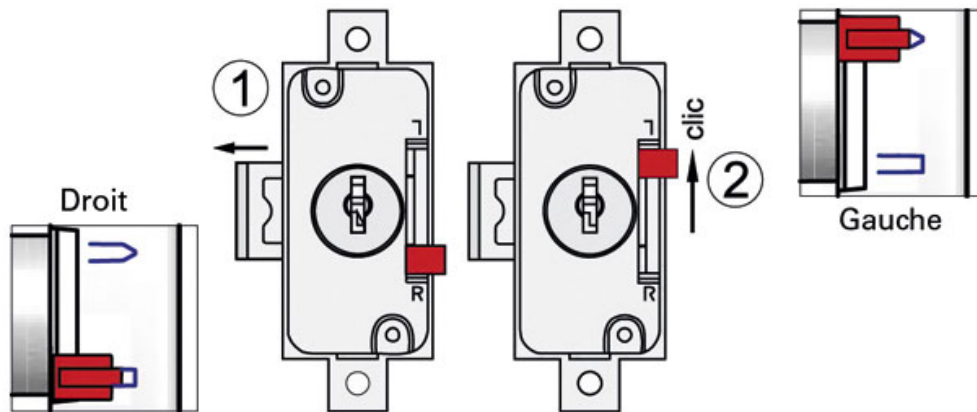


SERRURE 1 POINT ZAMAC

LEHMANN

 LEHMANN®



<https://www.socomenal.com/serrure-1-point-p58238>



Tel : 03 88 78 96 96

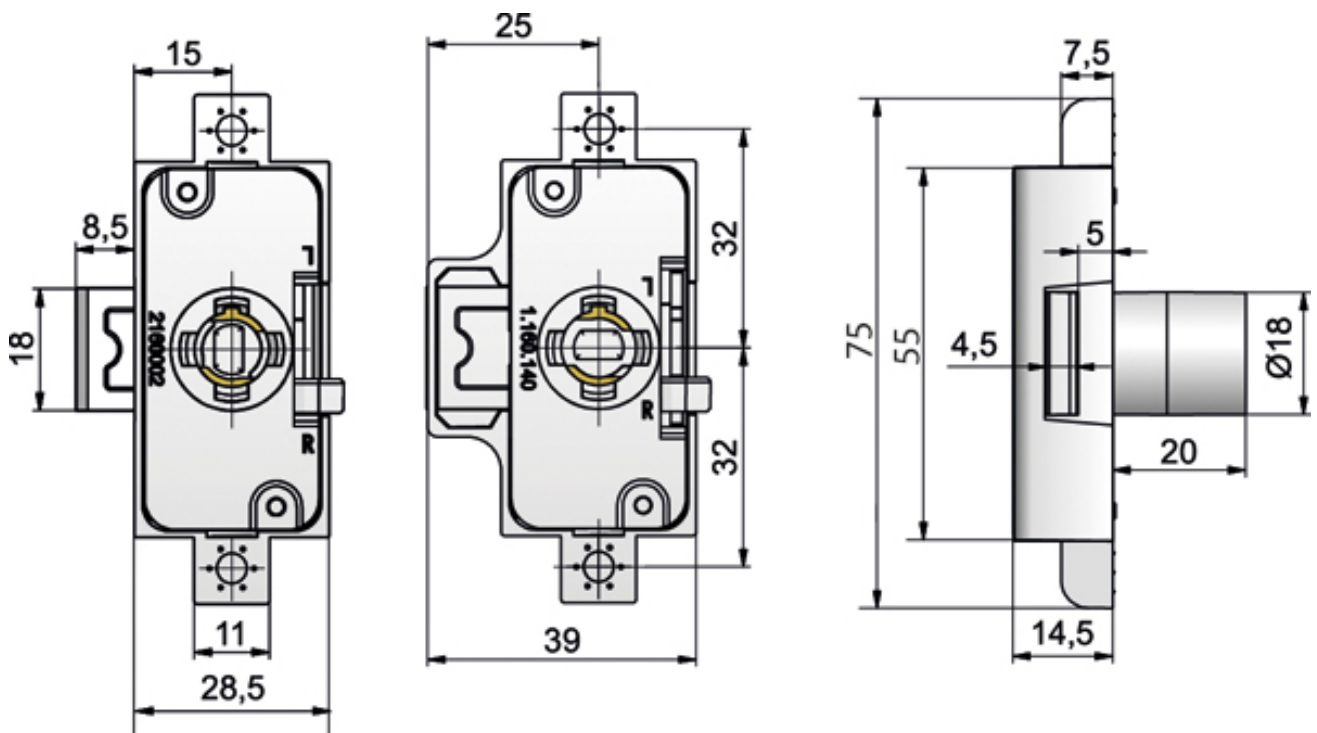
Fax : 02 43 30 26 16

www.socomenal.com

SERRURE 1 POINT ZAMAC

LEHMANN

 LEHMANN®



<https://www.socomenal.com/serrure-1-point-p58238>



Tel : 03 88 78 96 96

Fax : 02 43 30 26 16

www.socomenal.com