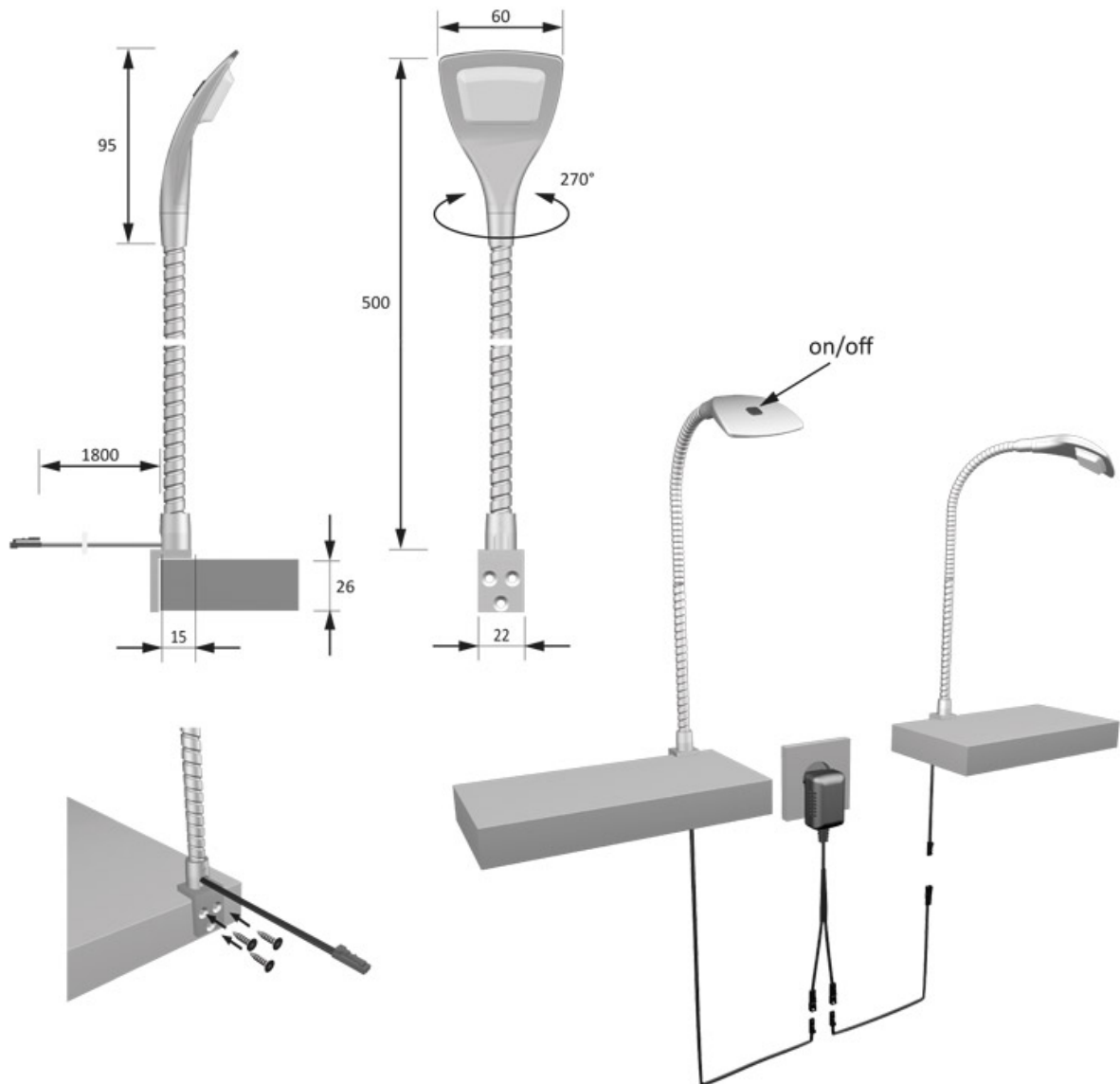


# SPOT LED SUR TIGE SWANLITE

HALEMEIER



HALEMEIER



<https://www.socomenal.com/spot-led-sur-tige-swanlite-p56059>



Tel : 03 88 78 96 96

Fax : 02 43 30 26 16

[www.socomenal.com](http://www.socomenal.com)