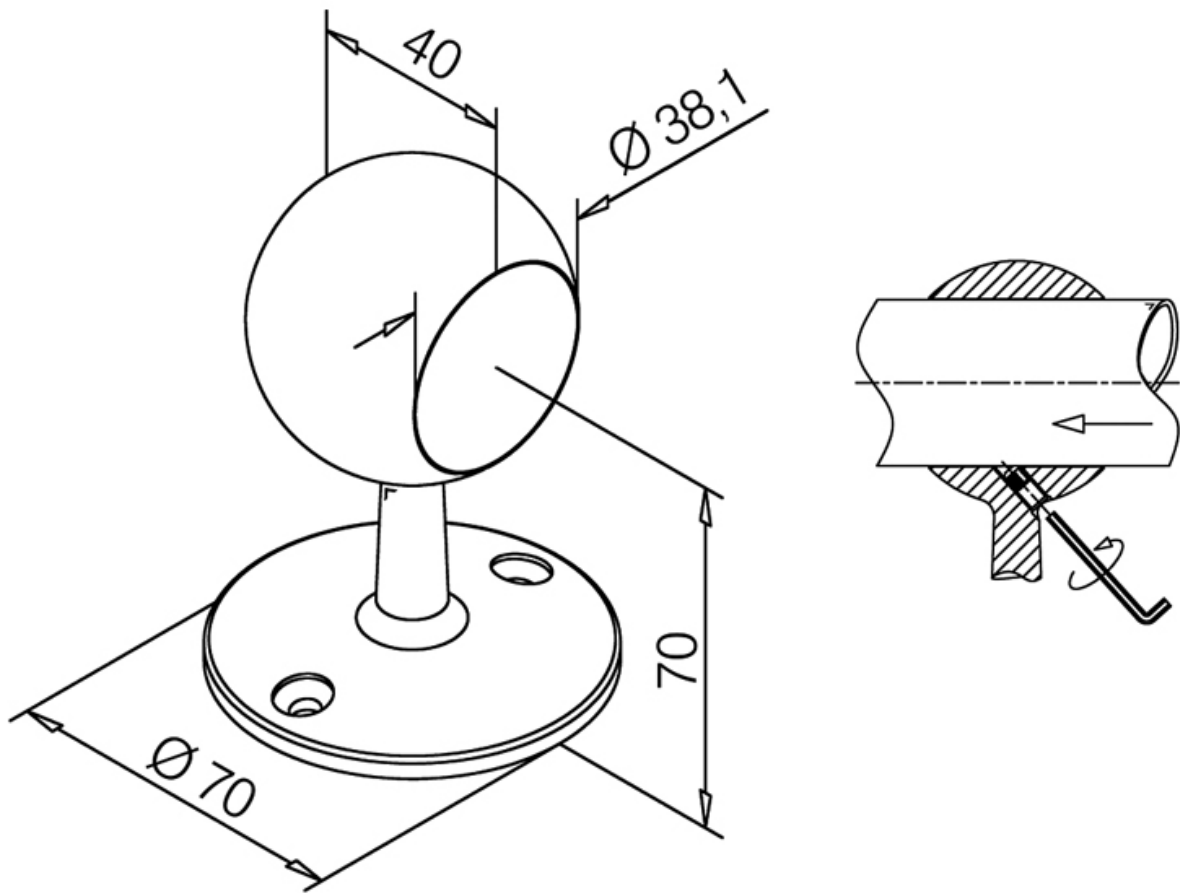


SUPPORT MAIN COURANTE TRAVERSANT ARRONDI

MB2



<https://www.socomenal.com/support-main-courante-traversant-arrondi-p10456>



Tel : 03 88 78 96 96

Fax : 02 43 30 26 16

www.socomenal.com