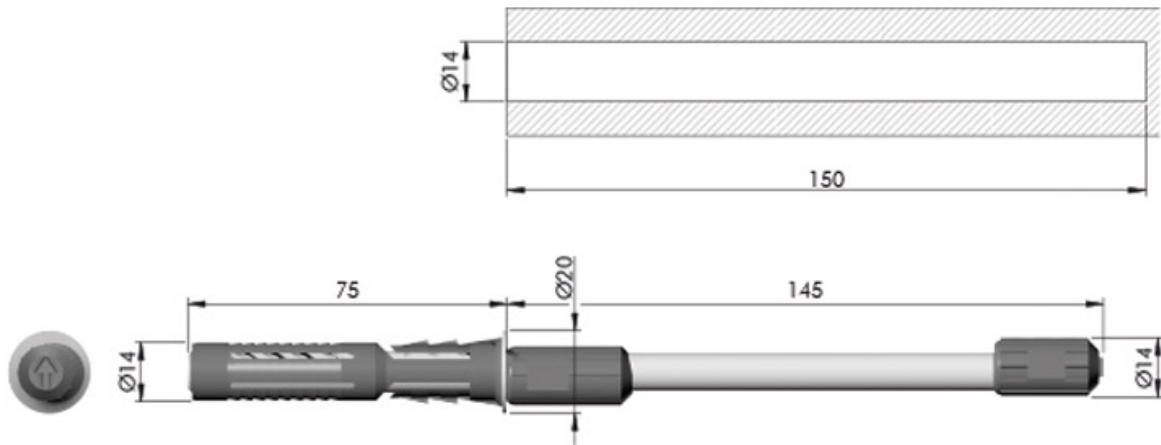


SUPPORT TABLETTE INVISIBLE A DOUILLE

ITALIANA FERRAMENTA



<https://www.socomenal.com/support-tablette-invisible-a-douille-p64588>



Tel : 03 88 78 96 96

Fax : 02 43 30 26 16

www.socomenal.com