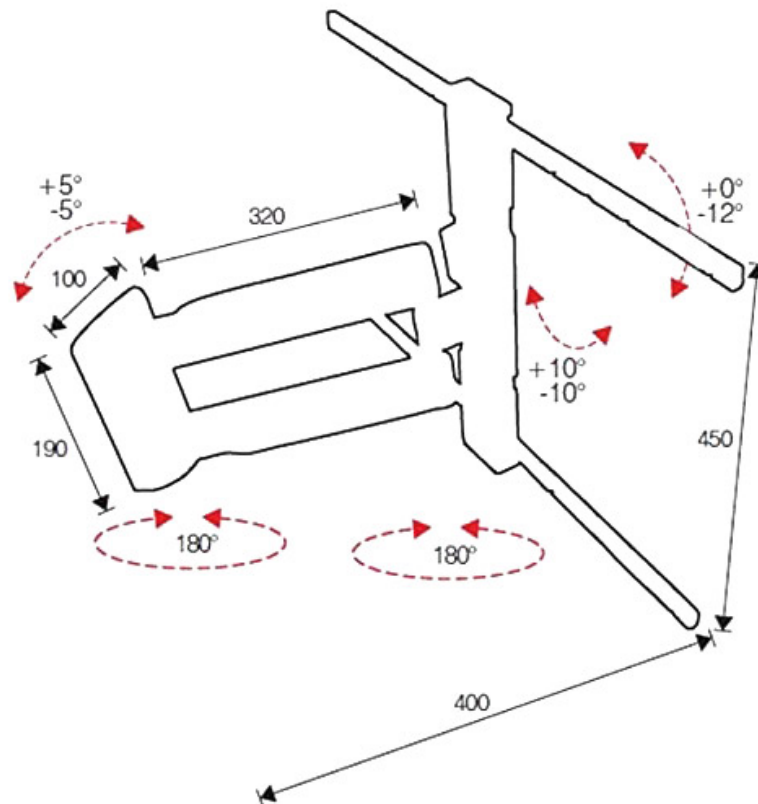


SUPPORT TV LED INCLINABLE BRAS ARTICULÉ

ITAR



<https://www.socomenal.com/support-tv-led-inclinable-bras-articule-p59842>



Tel : 03 88 78 96 96

Fax : 02 43 30 26 16

www.socomenal.com